

LONKING 龙工

LONKING FORKLIFT TRUCK



LONKING HOLDINGS LIMITED
LONKING (FU JIAN) INTERNATIONAL TRADE CO., LTD.

Add: 26 Minyi Road, Xinqiao, Songjiang Industrial Zone, Shanghai

Tel: +86-21-37602000-5657

<http://www.lonkinggroup.com> P.C: 201612

E-mail: export@lonking.cn

LONKING HOLDINGS LIMITED
LONKING (FU JIAN) INTERNATIONAL TRADE CO., LTD.

The information in this booklet is for instructional reference only, actual product and specifications is subject to updates and improvements.

LONKING HOLDINGS LIMITED

Founded in 1993, Lonking Holdings Limited ("Lonking") is one of the largest construction & logistic machinery manufacturers in China. It has 19 wholly owned subsidiaries and four production bases covering over 3 million square meters. Lonking has been successfully listed on Hong Kong stock exchange in 2005. Lonking manufactures **wheel loaders, hydraulic excavators, road rollers, forklifts, motor graders and skid steer loaders**. To provide world class parts support, Lonking also develops and produces gear boxes, torque converters, axle, hydraulic components, gear pipes, driver shaft and other core components.

For more information, please visit www.lonkinggroup.com !



FORKLIFT YEARLY PRODUCTION CAPACITY 30,000 UNITS



Safe, Powerful, Ergonomic, Maintained-easily.

Your ideal carrying aid: extensively applied in station, port, all kinds of factories and warehouses, effective trucks for stacking, loading and unloading.

In Lonking forklift, what you can find is not only forklift trucks, but also more follow-up solutions---one-stop warehouse logistics solution.



Rapid and Stable Performance

Being able to raise and lower the mast quickly, as well as tilt it forward and backward, providing the best operational conditions during unloading.



Wide view mast



Intensive overhead guard, punching press forging, more safe.



Integral cabin frame, more safe, easy for assembling and disassembling, as well as maintenance.



Ideal layout of components ensures easy maintenance.



Safety and durability



Anti-slip pedal made with durable material.



Large radiation space, and added with reflection mark on each side, more safe driving in the night.



Speed limit valve

When the forklift is fully loaded, mast lowering speed is carefully controlled to ensure safety by the speed limit valve.



Independent electric and hydraulic system, easy access and maintenance.



Product List

OW:Operating Weight
RC:Rated Capacity

Diesel forklift



LG15DT
OW:2900KG RC:1500KG
L1xH2:3170*2049MM



LG20DTIII
OW:3250KG RC:2000KG
L1xH2:3670*2135MM



LG25DTIII
OW:3500KG RC:2500KG
L1xH2:3670*2135MM



LG30DTIII
OW:4200KG RC:3000KG
L1xH2:3850*2150MM



LG35DTIII
OW:4430KG RC:3500KG
L1xH2:3850*2150MM



LG40DT
OW:5000KG RC:4000KG
L1xH2:3993*2343MM



LG50DT
OW:8740KG RC:5000KG
L1xH2:4805*2500MM



LG60DT
OW:9240KG RC:6000KG
L1xH2:4855*2500MM



LG70DT
OW:9740KG RC:7000KG
L1xH2:4855*2500MM



LG80DT
OW:10500KG RC:8000KG
L1xH2:5204*2845MM



LG100DT
OW:12900KG RC:10000KG
L1xH2:5514*2845MM



LG120DT
OW:22000KG RC:12000KG
L1xH2:5770*3170MM



LG160DT
OW:22000KG RC:16000KG
L1xH2:7410*3675MM



LG250DT
OW:34400KG RC:25000KG
L1xH2:8902*6000MM

LPG forklift



LG20GLT
OW:3260KG Gasoline:41KW LPG:37KW
RC:2000KG L1xH2: 3670*2135MM



LG25GLT
OW:3500KG Gasoline:41KW LPG:37KW
RC:2500KG L1xH2:3670*2135MM



LG30GLT
OW:4200KG Gasoline:41KW LPG:37KW
RC:3000KG L1xH2:3850*2150MM



LG35GLT
OW:4540KG Gasoline:41KW LPG:37KW
RC:3500KG L1xH2:3850*2180MM

Electric forklift(AC & DC for option)



LG13BE
OW:2920KG RC:1300KG
B:48V/400AH L1xH2:2715*1995MM



LG16BE
OW:3100KG RC:1600KG
B:48V/500AH L1xH2:2825*1995MM



LG18BE
OW:3216KG RC:1800KG
B:48V/500AH L1xH2:2825*1995MM



LG20BE
OW:3390KG RC:2000KG
B:48V/600AH L1xH2:2931*1995MM



LG20B
OW:3880KG RC:2000KG
B:48V/600AH L1xH2:3380*2140MM



LG25B
OW:4180KG RC:2500KG
B:80V/600AH L1xH2:3380*2140MM



LG16B
OW:3120KG RC:1600KG
B:48V/480AH L1xH2:3020*2135MM



LG30B
OW:4920KG RC:3000KG
B:80V/500AH LxH:3610*2175MM



LG35B
OW:5440KG RC:3500KG
B:80V/600AH LxH:3650*2175MM



LG20ET
OW:669KG RC:2000KG
B:24V/240AH LxH:2284*1420MM



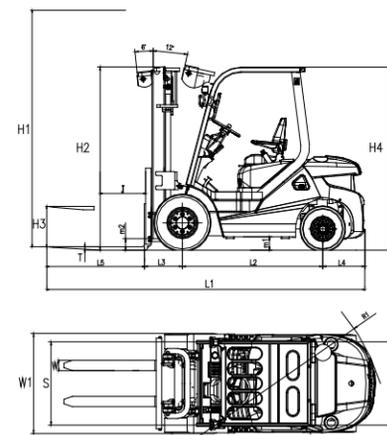
LG20DR
OW:3200KG RC:2000KG
B:48V/560(600)AH LxH:2387*2220MM

LG15DT/LG20DT/LG25DT/LG30DT/LG35DT overall specifications

LG15DT/LG20DT/LG25DT/LG30DT/LG35DT mast specifications

Item	Lift height (mm)	LG15DT				LG20DTIII				LG25DTIII				LG30DTIII				LG35DTIII				F/R(°)				
		c (kg)	h2 (mm)	h3 (mm)	h5 (mm)	c (kg)	h2 (mm)	h3 (mm)	h5 (mm)	c (kg)	h2 (mm)	h3 (mm)	h5 (mm)	c (kg)	h2 (mm)	h3 (mm)	h5 (mm)	c (kg)	h2 (mm)	h3 (mm)	h5 (mm)					
2 Stage Standard Mast	2000	1500	1487	105	105	2000	1635	110	110	2500	1635	110	110	3000	1632	125	125	3500	1680	170	170	6/12				
	2500	1500	1737	105	105	2000	1885	110	110	2500	1885	110	110	3000	1882	125	125	3500	1930	170	170	6/12				
	3000	1500	1987	105	105	2000	2135	110	110	2500	2135	110	110	3000	2132	125	125	3500	2180	170	170	6/12				
	3300	1500	2137	105	105	2000	2285	110	110	2500	2285	110	110	3000	2282	125	125	3500	2330	170	170	6/12				
	3500	1500	2237	105	105	2000	2385	110	110	2500	2385	110	110	3000	2382	125	125	3500	2430	170	170	6/12				
	3700	\	\	\	\	\	\	\	\	\	\	\	\	\	\	\	\	\	3500	2530	170	170	6/12			
	3750	1500	2362	105	105	2000	2510	110	110	2500	2510	110	110	3000	2507	125	125	\	\	\	\	6/6				
	4000	1500	2537	105	105	2000	2685	110	110	2500	2685	110	110	3000	2682	125	125	3300*3500	2730	170	170	6/6				
	4250	1400	2662	105	105	1900	2810	110	110	2300	2810	110	110	2850*3000	2807	125	125	3200*3500	2855	170	170	6/6				
	4500	1300	2787	105	105	1800	2935	110	110	2100	2935	110	110	2600*2800	2932	125	125	2900*3100	2980	170	170	6/6				
5000	1000	3037	105	105	1100	3185	110	110	1600	3185	110	110	2100*2400	3182	125	125	2400*2750	3230	170	170	6/6					
5500*	\	\	\	\	900	3485	110	110	1200	3485	110	110	1700*2200	3482	125	125	1800*2400	3530	170	170	6(3)/6					
6000*	\	\	\	\	700	3735	110	110	900	3735	110	110	1300*2000	3732	125	125	1400*2200	3780	170	170	6(3)/6					
2 Stage Free Mast	2000	1500	1595	1040	690	2000	1635	950	660	2500	1635	950	660	3000	1632	1044	350	3500	1680	965	655	6/12				
	2500	1500	1845	1290	940	2000	1885	1200	910	2500	1885	1200	910	3000	1882	1294	600	3500	1930	1215	905	6/12				
	2700	\	\	\	\	\	\	\	\	\	\	\	\	\	\	\	\	3500	2030	1315	1005	6/12				
	2750	1500	1970	1415	1065	2000	2010	1325	1035	2500	2010	1325	1035	3000	\	\	\	\	\	\	\	6/12				
	3000	1500	2095	1540	1190	2000	2135	1450	1160	2500	2135	1450	1160	3000	2132	1544	850	3500	2180	1465	1115	6/12				
	3300	1500	2245	1690	1340	2000	2285	1600	1310	2500	2285	1600	1310	3000	2282	1694	1000	3500	2330	1615	1305	6/12				
	3500	1500	2345	1790	1440	2000	2385	1700	1410	2500	2385	1700	1410	3000	2382	1794	1100	3500	2430	1715	1405	6/12				
	3750	1500	2470	1915	1565	1950	2510	1825	1535	2400	2510	1825	1535	3000	2507	1919	1225	\	\	\	\	6/12				
	4000	1400	2645	2090	1740	1850	2685	2000	1710	2000	2685	2000	1710	3000	2682	2094	1400	3300*3500	2730	2015	1705	6/6				
	4500	1200	2895	2340	1990	1650	2935	2250	1960	1700	2935	2250	1960	3000	2932	2344	1650	2900*3100	2980	2265	1955	6/6				
3 Stage Free Mast	4000	1400	1920	1385	975	1900	2010	1208	1008	2300	2010	1208	1008	2800*2900	1952	1379	715	3300*3300	1987	1280	755	6/6				
	4350	1300	2055	1511	1110	1850	2135	1334	1133	2200	2135	1334	1133	2700*2900	2077	1504	840	3100*3300	2112	1405	880	6/6				
	4500	1200	2095	1560	1150	1750	2198	1372	1196	2000	2198	1372	1196	2500*2800	2140	1567	903	2800*3000	2175	1470	945	6/6				
	4700	\	\	\	\	1720	2263	1461	1261	1800	2263	1461	1261	2350*2550	2205	1632	968	2600*2800	2240	1535	1010	6/6				
	4800	1100	2195	1660	1250	1700	2285	1484	1283	1700	2285	1484	1283	2250*2450	2227	1654	990	2500*2750	2262	1555	1030	6/6				
	5000	950	2295	1760	1350	1600	2385	1584	1383	1500	2385	1584	1383	2100*2300	2327	1754	1090	2300*2600	2362	1655	1130	6/6				
	5400	850	2420	1885	1475	1450	2510	1708	1508	1200	2510	1708	1508	1650*2100	2452	1879	1215	1800*2300	2487	1780	1255	3/6				
	5500	\	\	\	\	\	\	\	\	\	\	\	\	\	\	\	\	1500*2000	2492	1919	1255	1700*2200	2527	1820	1295	3/6
	6000	450	2645	2110	1700	950	2735	1934	1733	800	2735	1934	1733	1200*1800	2677	2104	1440	1300*2000	2712	2005	1480	3/6				
	6500*	\	\	\	\	500	2950	2149	1948	600	2950	2149	1948	900*1500	2892	2319	1655	1000*1600	2927	2220	1695	3/3				

h1=Max.Lift Height; c=Load Capacity; h2=Lowered Mast Height; h3=Free Lift Height(without backrest) ; h4=Overhead guard height; h5=Free Lift Height(with backrest); F/R=Tilting Angle F/R;h1* means machine with this kind of mast must choose double front tires; and the digital after * in this table shows the load capacity of machine with double front tires optional.



Optional Engine(for 1.5t)					
Engine Model	Manufacturer	Rated Power (kw/rpm)	Max.Torque (Nm/rpm)	Bore/Number of Cylinders/Displacement (mm/L)	Fuel Consumption (g/KW·h)
C485	China	31/2600	131/1700-1900	85/4/2.27	230
C240	ISUZU	34/2500	137/1800	86/4/2.369	292

Optimal Engine(for 2t&2.5t)					
Engine Model	Manufacturer	Rated Power (kw/rpm)	Max.Torque (Nm/rpm)	Bore/Number of Cylinders/Displacement (mm/L)	Fuel Consumption (g/KW·h)
C490(e3)	China	36.8/2650	156/1800	90/4/2.67	230
A498BT1	China	36.8/2650	180/1800	98/4/3.17	230
C240	ISUZU	34/2500	137/1800	86/4/2.369	292

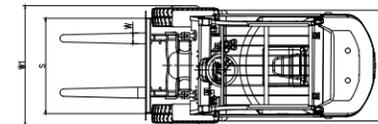
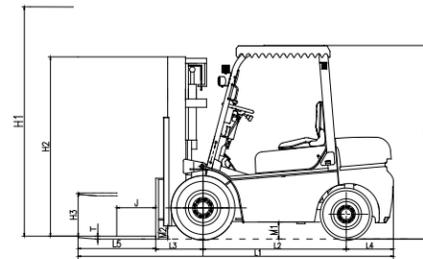
Optimal Engine(for 3t&3.5t)					
Engine Model	Manufacturer	Rated Power (kw/rpm)	Max.Torque (Nm/rpm)	Bore/Number of Cylinders/Displacement (mm/L)	Fuel Consumption (g/KW·h)
C490(e3)	China	36.8/2650	156/1800	90/4/2.67	230
C240	ISUZU	34/2500	137/1800	86/4/2.369	292
4JG2	ISUZU	44/2450	186/1700	95/4/3.059	265
4TNE98	YANMAR	42/2300	187/1600	98/4/3.319	272
S4S-408	MITSUMKISHI	38/2300	176/1800	120/4/3.3	225
D2011L04	DEUTZ	46.5/2600	190/1700	96/4/3.62	226
QSF2.8	Cummins	36.5/2500	186/1100-1500	94/4/2.8	250
A498BT1	China	36.8/2400	180/1800	98/4/3.17	230

FD20T/FD25T/FD30T/FD35T overall specifications

FD20T/FD25T/FD30T/FD35T mast specifications

Item	Lift height	FD20TIII				FD25TIII				FD30TIII				FD35TIII			F/R(°)	
		h1(mm)	c(kg)	h2(mm)	h3(mm)	h5(mm)	c(kg)	h2(mm)	h3(mm)	h5(mm)	c(kg)	h2(mm)	h3(mm)	h5(mm)	c(kg)	h2(mm)		h3(mm)
2 Stage Standard Mast	2000	2000	1500	150	150	2500	1500	150	150	3000	1575	165	165	3500	1680	170	170	6/12
	2500	2000	1750	150	150	2500	1750	150	150	3000	1825	165	165	3500	1930	170	170	6/12
	3000	2000	2000	150	150	2500	2000	150	150	3000	2075	165	165	3500	2180	170	170	6/12
	3300	2000	2150	150	150	2500	2150	150	150	3000	2225	165	165	3500	2330	170	170	6/12
	3500	2000	2250	150	150	2500	2250	150	150	3000	2325	165	165	3500	2430	170	170	6/12
	3700	2000	2350	150	150	2500	2350	150	150	3000	2425	165	165	3500	2530	170	170	6/12
	3750	\	\	\	\	\	\	\	\	3000	2450	165	165	\	\	\	\	6/12
	4000	2000	2550	150	150	2500	2550	150	150	3000	2625	165	165	3300*3500	2730	170	170	6/6
	4250	1850	2675	150	150	2300	2675	150	150	2850*3000	2750	165	165	3200*3500	2855	170	170	6/6
	4500	1600	2800	150	150	2100	2800	150	150	2600*2800	2875	165	165	2900*3100	2980	170	170	6/6
5000	1200	3050	150	150	1600	3050	150	150	2100*2400	3125	165	165	2400*2750	3230	170	170	6/6	
5500*	1000	3350	150	150	1200	3350	150	150	1700*2200	3425	165	165	1800*2400	3530	170	170	3/6	
6000*	800	3600	150	150	900	3600	150	150	1300*2000	3675	165	165	1400*2200	3780	170	170	3/6	
2 Stage Free Mast	2000	2000	1555	1085	620	2500	1555	1085	620	3000	1575	920	340	3500	1680	965	655	6/12
	2500	2000	1805	1335	870	2500	1805	1335	870	3000	1825	1170	590	3500	1930	1215	905	6/12
	2700	2000	1905	1435	970	2500	1905	1435	970	3000	1925	1270	690	3500	2030	1315	1005	6/12
	3000	2000	2055	1555	1120	2500	2055	1555	1120	3000	2075	1420	840	3500	2180	1465	1155	6/12
	3300	2000	2205	1735	1270	2500	2205	1735	1270	3000	2225	1570	990	3500	2330	1615	1305	6/12
	3500	2000	2305	1835	1370	2500	2305	1835	1370	3000	2325	1670	1090	3500	2430	1715	1405	6/12
	3750	2000	2430	1960	1495	2500	2430	1960	1495	3000	2450	1795	1215	3500	2530	1815	1505	6/12
	4000	2000	2605	2135	1670	2500	2605	2135	1670	3000	2625	1970	1390	3300	2730	2015	1705	6/6
	4500	1600	2855	2385	1920	2100	2855	2385	1920	2600*2800	2875	2220	1640	2900*3100	2980	2265	1955	6/6
	4000	1900	1930	1365	995	2300	1930	1365	995	2800*2900	1987	1275	750	3300*3300	1987	1280	960	6/6
3 Stage Free Mast	4350	1750	2055	1490	1120	2200	2055	1490	1120	2700*2900	2112	1400	875	3100*3300	2112	1405	1085	6/6
	4500	1600	2118	1553	1183	2000	2118	1553	1183	2500*2800	2175	1465	940	2800*3000	2175	1470	1150	6/6
	4700	1300	2183	1618	1248	1800	2183	1618	1248	2350*2550	2240	1530	1005	2600*2800	2240	1535	1215	6/6
	4800	1250	2205	1640	1270	1700	2205	1640	1270	2250*2450	2262	1550	1025	2500*2750	2262	1555	1235	6/6
	5000	1100	2305	1740	1370	1500	2305	1740	1370	2100*2300	2362	1650	1125	2300*2600	2362	1655	1335	6/6
	5400	900	2430	1865	1495	1200	2430	1865	1495	1650*2100	2487	1775	1250	1800*2300	2487	1780	1460	3/6
	5500	800	2470	1905	1535	1100	2470	1905	1535	1500*2000	2527	1815	1290	1700*2200	2527	1820	1500	3/6
	6000	600	2665	2090	1720	800	2665	2090	1720	1200*1800	2712	2000	1475	1300*2000	2712	2005	1685	3/6
	6500*	400	2870	2305	1935	600	2870	2305	1935	900*1500	2927	2215	1690	1000*1600	2927	2220	1900	3/3

h1=Max.Lift Height; c=Load Capacity; h2=Lowered Mast Height; h3=Free Lift Height(without backrest) ; h4=Overhead guard height; h5=Free Lift Height(with backrest); F/R=Tilting Angle F/R;h1* means machine with this kind of mast must choose double front tires; and the digital after * in this table shows the load capacity of machine with double front tires optional.



Optional Engine(for 2t&2.5t,3t&3.5t)					
Engine Model	Manufacturer	Rated Power (kw/rpm)	Max.Torque (Nm/rpm)	Bore/Number of Cylinders/Displacement (mm/L)	Fuel Consumption (g/KW·h)
NC490BPG	China	40/2650	162/1800-2000	90/4/2.67	235
4D27G31	China	36.8/2500	156/1800	90/4/2.67	230
YN4A055-31CR	Yunnei	36.8/2650	175	90/4/2.67	235

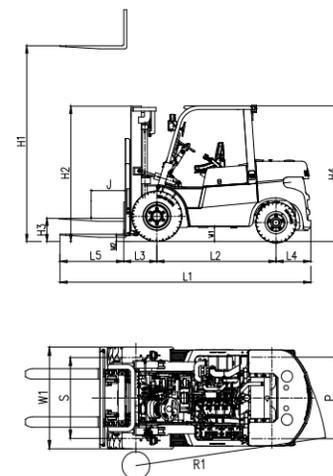
FD38T/LG40DT/LG45DT overall specifications

FD38T/LG40DT/LG45DT mast specifications

Identification	1.1	Manufacturer			LONKING	LONKING	LONKING
	1.2	Model			FD38TIII	LG40DTIV	LG45DTIV
	1.4	Power type (electric,diesel, petrol LPG)			Diesel	Diesel	Diesel
	1.5	Type of operation:hand,pedestrian,standing,seated,order-picker			Seated	Seated	Seated
	1.6	Load capacity/rated load		kg	3800	4000	45000
	1.7	Load center distance	J	mm	500	500	500
	1.8	Front overhang	L3	mm	495	555	555
	1.9	Rear overhang	L4	mm	530	520	540
	2.0	Wheelbase	L2	mm	1900	2000	2000
	Weights	2.1	Dead weight		kg	4950	6400
2.2		Axle loading,loaded front/rear		kg	8027/892	9400/1000	10200/1100
2.3		Axle loading,unloaded front/rear		kg	1969/2950	2900/3500	3000/3800
Wheels,Chassis	3.1	Tires;pneumatic,solid rubber			pneumatic	pneumatic	pneumatic
	3.2	Tires size,front			250-15-16PR	8.25-15	300-15-18PR
	3.3	Tires size,rear			6.5-10-10PR	7.0-12	7.0-12-12PR
	3.4	Wheels,number front / rear(X=driven wheels)			X=2/2	X=2/2	X=2/2
	3.5	Track width,front	S	mm	1040	1180	1180
	3.6	Track width,rear	P	mm	980	1190	1190
Basic Dimensions	4.11	Mast/fork carriage tilt forward backward	α/β	degrees	6/12	6/12	6/12
	4.12	Lowered mast height	h2	mm	2230	2245	2245
	4.13	Free lift height	h3	mm	130	150	150
	4.14	STD Max lift height	h1	mm	3000	3000	3000
	4.15	Overhead guard height	h4	mm	2140	2250	2250
	4.16	Distance from seat to overhead guard	SIP	mm	1018	1000	1000
	4.17	Overall length	L1	mm	3995	4145	4165
	4.18	Length to face of forks	L6	mm	2925	3075	3095
	4.19	Overall width	W1	mm	1290	1480	1480
	4.2	Fork dimensions(hook type)	L5×W×T	mm	1070×150×50	1070×150×50	1070×150×55
	4.21	Fork carriage ISO 2328, class / type A,B			3/A	3/A	3/A
	4.22	Fork-carriage width		mm	1200	1380	1380
	4.23	Ground clearance, under mast	m2	mm	150	175	175
	4.24	Ground clearance,centre of wheelbase	m1	mm	180	215	215
	4.25	Aisle width for pallets 1,000x1,200 crossways (LxW)	AST	mm	4315	4475	4495
	4.26	Aisle width for pallets 800x1,200 lengthways (WxL)	AST	mm	4115	4275	4295
	4.27	Turning radius	R1	mm	2620	2720	2740
Performance Data	5.1	Max.traveling speed, unloaded		km/h	20	25	25
	5.2	Max.lifting speed, loaded/ unloaded		mm/s	380/410	460/520	460/520
	5.3	Lowering speed, loaded/unloaded		mm/s	< 600	< 600	< 600
	5.7	Max.gradient		%	20	23	22
	5.9	Service brake			Hydraulic	Hydraulic	Hydraulic
	5.10	Parking brake			Hand	Hand	Hand
Other Details	7.1	Operating pressure		Mpa	17.5	18.5	18.5
	7.2	Fuel tank capacity		L	70	90	90
	7.4	Type of drive			Automatic	Automatic	Automatic

Item	Lift height	FD38TIII				LG40DTIV				LG45DTIV				F/R(°)	
		h1(mm)	c(kg)	h2(mm)	h3(mm)	h5(mm)	c(kg)	h2(mm)	h3(mm)	h5(mm)	c(kg)	h2(mm)	h3(mm)		h5(mm)
2 Stage Standard Mast	2000	4000	1730	130	130	\	\	\	\	\	\	\	\	6/12	
	2500	4000	1980	130	130	4000	1995	155	155	4500	1995	155	155	6/12	
	3000	4000	2230	130	130	4000	2245	155	155	4500	2245	155	155	6/12	
	3300	4000	2380	130	130	4000	2395	155	155	4500	2395	155	155	6/12	
	3500	4000	2480	130	130	4000	2495	155	155	4500	2495	155	155	6/12	
	3700	4000	2580	130	130	\	\	\	\	\	\	\	\	6/12	
	3750	\	\	\	\	4000	2620	155	155	4500	2620	155	155	6/6	
	4000	3800*4000	2780	130	130	4000	2795	155	155	4500	2795	155	155	6/6	
	4250	3550*3800	2905	130	130	3800	2920	155	155	4300	2920	155	155	6/6	
	4500	3300*3500	3030	130	130	3700	3045	155	155	4200	3045	155	155	6/6	
2 Stage Free Mast	2000	\	\	\	\	4000	1770	960	545	4500	1770	960	545	6/12	
	3000	\	\	\	\	4000	2270	1460	1045	4500	2270	1460	1045	6/12	
	3300	\	\	\	\	4000	2420	1610	1195	4500	2420	1610	1195	6/12	
	3500	\	\	\	\	4000	2520	1710	1295	4500	2520	1710	1295	6/12	
	3750	\	\	\	\	4000	2645	1835	1420	4500	2645	1835	1420	6/6	
	4000	\	\	\	\	3800	2770	2010	1595	4300	2770	2010	1595	6/6	
	4250	\	\	\	\	\	\	\	\	\	\	\	\	6/6	
	4500	\	\	\	\	\	\	\	\	\	\	\	\	6/6	
	3 Stage Free Mast	4000	\	\	\	\	3600*3800	2078	1296	1045	4000*4250	2078	1296	1045	6/6
		4350	\	\	\	\	3400*3600	2194	1412	1161	3800*4050	2194	1412	1161	6/6
4500		\	\	\	\	3200*3400	2245	1463	1212	3600*3850	2245	1463	1212	6/6	
4700		\	\	\	\	\	\	\	\	\	\	\	\	6/6	
4800		\	\	\	\	3000*3200	2345	1563	1312	3350*3600	2345	1563	1312	6/6	
5000		\	\	\	\	2800*3000	2444	1662	1411	3150*3400	2444	1662	1411	6/6	
5400		\	\	\	\	2350*2800	2569	1787	1536	2650*3100	2569	1787	1536	3/6	
5500		\	\	\	\	\	\	\	\	\	\	\	\	6/6	
6000		\	\	\	\	1700*2600	2810	2028	1777	2000*2800	2810	2028	1777	3/6	
6500*		\	\	\	\	1300*2400	2977	2195	1944	1550*2600	2977	2195	1944	3/3	

h1=Max.Lift Height; c=Load Capacity; h2=Lowered Mast Height; h3=Free Lift Height(without backrest) ; h4=Overhead guard height; h5=Free Lift Height(with backrest); F/R= Tilting Angle F/R;h1* means FD38T III with this kind of mast must choose double front tires; and the digital after * in this table shows the load capacity of machine with double front tires optional.



Optional Engine(for 3.8t)					
Engine Model	Manufacturer	Rated Power (kw/rpm)	Max.Torque (Nm/rpm)	Bore/Number of Cylinders/Displacement (mm/L)	Fuel Consumption (g/KW·h)
A498	China	36.8/2650	180/1800	98/4/3.17	230

Optional Engine(for 4 & 4.5t)					
Engine Model	Manufacturer	Rated Power (kw/rpm)	Max.Torque (Nm/rpm)	Bore/Number of Cylinders/Displacement (mm/L)	Fuel Consumption (g/KW·h)
CA4DX23	Xinchai	60/2200	320/1500	102/4/3.8	230
S6S	Mitsubishi	52/2300	248/1700	94/6/4.96	260
YN4EL	Yunnei	62.5/2200	320/1600	102/4/3.8	215

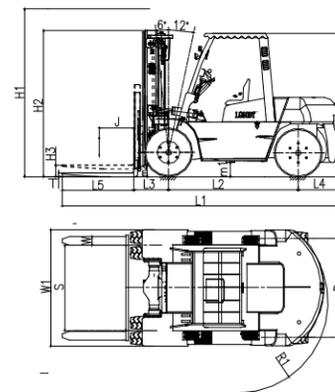
LG50DT/LG60DT/LG70DT overall specifications

LG50DT/LG60DT/LG70DT mast specifications

Identification	1.1	Manufacturer			LONKING	LONKING	LONKING	
	1.2	Model			LG50DT	LG60DT	LG70DT	
1.4	Power type (electric,diesel, petrol LPG)			Diesel	Diesel	Diesel		
1.5	Type of operation:hand,pedestrian,standing,seated,order-picker			Seated	Seated	Seated		
1.6	Load capacity/rated load		kg	5000	6000	7000		
1.7	Load center distance	J	mm	600	600	600		
1.8	Front overhang	L3	mm	595	595	595		
1.9	Rear overhang	L4	mm	600	695	695		
2.0	Wheelbase	L2	mm	2250	2250	2250		
Weights	2.1	Dead weight		kg	8250	9240	9740	
	2.2	Axle loading,loaded front/rear		kg	/	13082/1454	14382/1599	
	2.3	Axle loading,unloaded front/rear		kg	3650/4650	3415/5122	3592/5389	
Wheels,Chassis	3.1	Tires:pneumatic,solid rubber			pneumatic	pneumatic	pneumatic	
	3.2	Tires size,front			8.25-15-14PR	8.25-15-14PR	8.25-15-14PR	
	3.3	Tires size,rear			8.25-15-14PR	8.25-15-14PR	8.25-15-14PR	
	3.4	Wheels,number front / rear(X=driven wheels)			X=4/2	X=4/2	X=4/2	
	3.5	Track width,front	S	mm	1470	1470	1470	
	3.6	Track width,rear	P	mm	1700	1700	1700	
Basic Dimensions	4.11	Mast/fork carriage tilt forward backward	α/β	degrees	6/12	6/12	6/12	
	4.12	Lowered mast height	h2	mm	2500	2500	2500	
	4.13	Free lift height	h3	mm	205	205	205	
	4.14	STD Max lift height	h1	mm	3000	3000	3000	
	4.15	Overhead guard height	h4	mm	2445	2445	2445	
	4.16	Distance from seat to overhead guard	SIP	mm	1050	1050	1050	
	4.17	Overall length	L1	mm	4715	4855	4760	
	4.18	Length to face of forks	L6	mm	3495	3535	3540	
	4.19	Overall width	W1	mm	2000	2000	2000	
	4.2	Fork dimensions(hook type)	L5×W×T	mm	1220×150×60	1220×150×60	1220×150×65	
	4.21	Fork carriage ISO 2328, class / type A,B			3/A	3/A	3/A	
	4.22	Fork-carriage width		mm	1734	1734	1734	
	4.23	Ground clearance, under mast	m2	mm	200	216	216	
	4.24	Ground clearance,centre of wheelbase	m1	mm	233	248	248	
	4.25	Aisle width for pallets 1,000x1,200 crossways (LxW)	AST	mm	5230	5400	\	
	4.26	Aisle width for pallets 800x1,200 lengthways (WxL)	AST	mm	\	\	\	
	4.27	Turning radius	R1	mm	3240	3415	3415	
	Performance Data	5.1	Max.traveling speed, unloaded		km/h	27	27	27
		5.2	Max.lifting speed, loaded/ unloaded		mm/s	510/530	510/530	330/450
		5.3	Lowering speed, loaded/unloaded		mm/s	< 600	< 600	< 600
		5.7	Max.gradient		%	20	20	20
		5.9	Service brake			Hydraulic	Hydraulic	Hydraulic
		5.10	Parking brake			Hand	Hand	Hand
	Other Details	7.1	Operating pressure		Mpa	20	20	20
		7.2	Fuel tank capacity		L	140	140	140
		7.4	Type of drive			Automatic		

Item	Lift height	LG50DT					LG60DT				LG70DT				F/R(°)
		h1(mm)	c(kg)	h2(mm)	h3(mm)	h5(mm)	c(kg)	h2(mm)	h3(mm)	h5(mm)	c(kg)	h2(mm)	h3(mm)	h5(mm)	
2 Stage Standard Mast	2000	5000	2003	206	206	6000	2003	206	206	7000	2003	206	206	6/12	
	2500	5000	2253	206	206	6000	2253	206	206	7000	2253	206	206	6/12	
	2750	5000	2378	206	206	6000	2378	206	206	7000	2378	206	206	6/12	
	3000	5000	2503	206	206	6000	2503	206	206	7000	2503	206	206	6/12	
	3300	5000	2650	206	206	6000	2650	206	206	7000	2650	206	206	6/12	
	3500	5000	2750	206	206	6000	2750	206	206	7000	2750	206	206	6/12	
	3750	5000	2875	206	206	6000	2875	206	206	7000	2875	206	206	6/6	
	4000	5000	3053	206	206	6000	3053	206	206	7000	3053	206	206	6/6	
	4250	5000	3178	206	206	6000	3178	206	206	7000	3178	206	206	6/6	
	4500	5000	3303	206	206	6000	3303	206	206	7000	3303	206	206	6/6	
	4750	5000	3428	206	206	6000	3428	206	206	7000	3428	206	206	6/6	
	5000	5000	3553	206	206	6000	3553	206	206	7000	3553	206	206	6/6	
	5500	4750	3853	206	206	5700	3853	206	206	6600	3853	206	206	3/6	
	6000	4400	4103	206	206	5400	4103	206	206	6400	4103	206	206	3/6	
	2 Stage Free Mast	2000	\	\	\	\	\	\	\	\	\	\	\	\	6/12
2100		5000	2050	1078	615	6000	2050	1078	615	7000	2050	1078	615	6/12	
2400		5000	2200	1228	765	6000	2200	1228	765	7000	2200	1228	765	6/12	
2500		5000	2250	1278	815	6000	2250	1278	815	7000	2250	1278	815	6/12	
2700		\	\	\	\	6000	\	\	\	7000	\	\	\	6/12	
2750		5000	2375	1403	940	6000	2375	1403	940	7000	2375	1403	940	6/12	
3000		5000	2500	1528	1065	6000	2500	1528	1065	7000	2500	1528	1065	6/12	
3250		\	\	\	\	\	\	\	\	\	\	\	\	6/12	
3300		5000	2650	1678	1215	6000	2650	1678	1215	7000	2650	1678	1215	6/12	
3500		5000	2750	1778	1315	6000	2750	1778	1315	7000	2750	1778	1315	6/12	
3750		5000	2875	1903	1440	6000	2875	1903	1440	7000	2875	1903	1440	6/12	
4000		4800	3050	2078	1565	5800	3050	2078	1565	6800	3050	2078	1565	6/6	
4250		4700	3175	2203	1690	5700	3175	2203	1690	6700	3175	2203	1690	6/6	
4500		4600	3300	2328	1815	5600	3300	2328	1815	6600	3300	2328	1815	6/6	
3 Stage Free Mast		3600	5000	2275	1390	835	6000	2275	1390	835	7000	2275	1390	835	6/12
	4000	4800	2410	1520	970	5800	2410	1520	970	6800	2410	1520	970	6/6	
	4350	4600	2525	1636	1085	5600	2525	1636	1085	6600	2525	1636	1085	6/6	
	4500	4600	2575	1686	1135	5600	2575	1686	1135	6600	2575	1686	1135	6/6	
	4800	4500	2680	1790	1240	5600	2680	1790	1240	6400	2680	1790	1240	6/6	
	5000	4500	2745	1860	1305	5600	2745	1860	1305	6200	2745	1860	1305	6(3)/6	
	5400	4200	2880	1990	1440	5300	2880	1990	1440	6000	2880	1990	1440	3/6	
	6000	4000	3080	2190	1640	5000	3080	2190	1640	5600	3080	2190	1640	3/6	
	6300	3300	3220	2290	1780	4300	3220	2290	1780	5300	3220	2290	1780	3/3	
	7000	3100	3345	2360	1905	4100	3345	2360	1905	5100	3345	2360	1905	3/3	

h1=Max.Lift Height; c=Load Capacity; h2=Lowered Mast Height; h3=Free Lift Height(without backrest) ; h4=Overhead guard height; h5=Free Lift Height(with backrest); F/R=Tilting Angle F/R



Optional Engine(for5T,6T,7T)					
Engine Model	Manufacturer	Rated Power (kw/rpm)	Max.Torque (Nm/rpm)	Bore/Number of Cylinders/Displacement (mm/L)	Fuel Consumption (g/KW·h)
1104D-44TA	Perkins	74.5/2200	415/1350	105/4/4.4	240

LG50DT(Compact)/LG50DTIII/LG60DTIII/LG70DTIII overall specifications

Identification	1.1	Manufacturer		LONKING	LONKING	LONKING	LONKING
	1.2	Model		LG50DT(Compact)	LG50DTIII	LG60DTIII	LG70DTIII
	1.4	Power type (electric,diesel, petrol LPG)		Diesel	Diesel	Diesel	Diesel
	1.5	Type of operation:hand,pedestrian,standing,seated,order-picker		Seated	Seated	Seated	Seated
	1.6	Load capacity/rated load	kg	5000	5000	6000	7000
	1.7	Load center distance	J mm	500	600	600	600
	1.8	Front overhang	L3 mm	555	595	595	600
	1.9	Rear overhang	L4 mm	584	600	675	720
	2.0	Wheelbase	L2 mm	2000	2300	2300	2300
	Weights	2.1	Dead weight	kg	7000	8250	8950
2.2		Axle loading,loaded front/rear	kg	\	\	\	\
2.3		Axle loading,unloaded front/rear	kg	2600/4400	3650/4650	\	\
Wheels,Chassis	3.1	Tires:pneumatic,solid rubber		pneumatic	pneumatic	pneumatic	pneumatic
	3.2	Tires size,front		300-15-18PR	8.25-15-14PR	8.25-15-14PR	8.25-15-14PR
	3.3	Tires size,rear		7.0-12-12PR	8.25-15-14PR	8.25-15-14PR	8.25-15-14PR
	3.4	Wheels,number front / rear(X=driven wheels)		X=2/2	X=4/2	X=4/2	X=4/2
	3.5	Track width,front	S mm	1180	1470	1470	1470
	3.6	Track width,rear	P mm	1190	1700	1700	1700
Basic Dimensions	4.1.1	Mast/fork carriage tilt forward backward	α/β degrees	6/12	6/12	6/12	6/12
	4.1.2	Lowered mast height	h2 mm	2245	2500	2500	2500
	4.1.3	Free lift height	h3 mm	150	200	200	205
	4.1.4	STD Max lift height	h1 mm	3000	3000	3000	3000
	4.1.5	Overhead guard height	h4 mm	2250	2450	2450	2450
	4.1.6	Distance from seat to overhead guard	SIP mm	\	1050	1050	1050
	4.1.7	Overall length	L1 mm	4209	4715	4790	4840
	4.1.8	Length to face of forks	L6 mm	2989	3495	3570	3620
	4.1.9	Overall width	W1 mm	1480	1995	1995	1995
	4.2	Fork dimensions(hook type)	L5xWxT mm	1070x150x55	1220x150x60	1220x150x60	1220x150x65
	4.2.1	Fork carriage ISO 2328, class / type A,B		3/A	3/A	3/A	3/A
	4.2.2	Fork-carriage width	mm	1380	1845	1845	1845
	4.2.3	Ground clearance, under mast	m2 mm	175	200	200	200
	4.2.4	Ground clearance,centre of wheelbase	m1 mm	215	230	230	230
	4.2.5	Aisle width for pallets 1,000x1,200 crossways (LxW)	AST mm	4535	5040	5100	5170
4.2.6	Aisle width for pallets 800x1,200 lengthways (WxL)	AST mm	\	\	\	\	
4.2.7	Turning radius	R1 mm	2780	3240	3300	3370	
Performance Data	5.1	Max.traveling speed, unloaded	km/h	25	29	29	29
	5.2	Max.lifting speed, loaded/ unloaded	mm/s	460/520	510/530	510/530	500/530
	5.3	Lowering speed, loaded/unloaded	mm/s	< 600	< 600	< 600	< 600
	5.7	Max.gradient	%	21	38	35	32
	5.9	Service brake		Hydraulic	Hydraulic	Hydraulic	Hydraulic
	5.10	Parking brake		Hand	Hand	Hand	Hand
Other Details	7.1	Operating pressure	Mpa	18.5	19.6	19.6	19.6
	7.2	Fuel tank capacity	L	90	140	140	140
	7.4	Type of drive		Automatic	Automatic	Automatic	Automatic

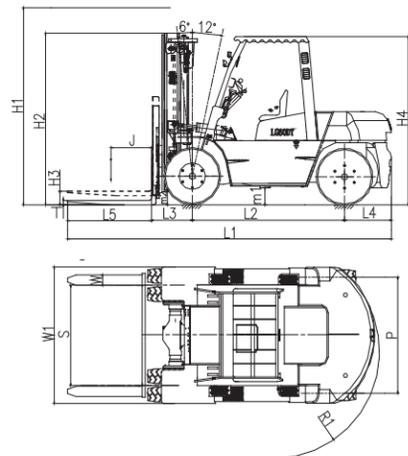
LG50DT(Compact)/LG50DTIII/LG60DTIII/LG70DTIII mast specifications

Item	Lift height h1(mm)	LG50DT(Compact)				LG50DTIII				LG60DTIII				LG70DTIII				F/R(°)	
		c(kg)	h2(mm)	h3(mm)	h5(mm)	c(kg)	h2(mm)	h3(mm)	h5(mm)	c(kg)	h2(mm)	h3(mm)	h5(mm)	c(kg)	h2(mm)	h3(mm)	h5(mm)		
2 Stage Standard Mast	2000	\	\	\	\	5000	2000	211	206	6000	2000	211	206	7000	2000	211	206	6/12	
	2500	5000	1995	155	155	5000	2250	211	206	6000	2250	211	206	7000	2250	211	206	6/12	
	2700	\	\	\	\	5000	2350	211	206	6000	2350	211	206	7000	2350	211	206	6/12	
	2750	5000	2120	155	155	\	\	\	\	\	\	\	\	\	\	\	\	6/12	
	3000	5000	2245	155	155	5000	2500	211	206	6000	2500	211	206	7000	2500	211	206	6/12	
	3250	\	\	\	\	\	\	\	\	\	\	\	\	\	\	\	\	\	6/12
	3300	5000	2395	155	155	5000	2650	211	206	6000	2650	211	206	7000	2650	211	206	6/12	
	3500	5000	2495	155	155	5000	2750	211	206	6000	2750	211	206	7000	2750	211	206	6/12	
	3750	5000	2620	155	155	5000	2875	211	206	6000	2875	211	206	7000	2875	211	206	6/12	
	4000	5000	2795	155	155	5000	3050	211	206	6000	3050	211	206	7000	3050	211	206	6/12	
	4250	4700	2920	155	155	5000	3175	211	206	6000	3175	211	206	7000	3175	211	206	6/(6)12	
	4500	4500	3045	155	155	5000	3300	211	206	6000	3300	211	206	7000	3300	211	206	6/(6)12	
	4750	4250	3170	155	155	5000	3425	211	206	6000	3425	211	206	7000	3425	211	206	6/6	
	5000	4000	3295	155	155	5000	3550	211	206	6000	3550	211	206	7000	3550	211	206	6/6	
	5500	3600	3545	155	155	4750	3850	211	206	5700	3850	211	206	6600	3850	211	206	3/6	
6000	3300	3795	155	155	4400	4100	211	206	5400	4100	211	206	6400	4100	211	206	3/6		
2 Stage Free Mast	2000	5000	1770	960	545	\	\	\	\	\	\	\	\	\	\	\	\	6/12	
	2100	\	\	\	\	5000	2050	1078	615	6000	2050	1078	615	7000	2050	1078	615	6/12	
	2400	\	\	\	\	5000	2200	1228	765	6000	2200	1228	765	7000	2200	1228	765	6/12	
	2500	5000	2020	1210	795	5000	2250	1278	815	6000	2250	1278	815	7000	2250	1278	815	6/12	
	2700	5000	2120	1310	895	\	\	\	\	6000	\	\	\	7000	\	\	\	6/12	
	2750	\	\	\	\	5000	2375	1403	940	6000	2375	1403	940	7000	2375	1403	940	6/12	
	3000	5000	2270	1460	1045	5000	2500	1528	1065	6000	2500	1528	1065	7000	2500	1528	1065	6/12	
	3250	\	\	\	\	\	\	\	\	6000	\	\	\	7000	\	\	\	6/12	
	3300	5000	2420	1610	1195	5000	2650	1678	1215	6000	2650	1678	1215	7000	2650	1678	1215	6/12	
	3500	5000	2520	1710	1295	5000	2750	1778	1315	6000	2750	1778	1315	7000	2750	1778	1315	6/12	
	3750	5000	2645	1835	1420	5000	2875	1903	1440	6000	2875	1903	1440	7000	2875	1903	1440	6/12	
	4000	4800	270	2010	1595	4800	3050	2078	1565	5800	3050	2078	1565	6800	3050	2078	1565	6/6	
	4250	\	\	\	\	4700	3175	2203	1690	5700	3175	2203	1690	6700	3175	2203	1690	6/6	
	4500	\	\	\	\	4600	3300	2328	1815	5600	3300	2328	1815	6600	3300	2328	1815	6/6	
	3 Stage Free Mast	3600	4800*5000	1944	1028	777	5000	2275	1390	835	6000	2275	1390	835	7000	2275	1390	835	6/12
4000		4500*4750	2078	1296	1045	4800	2410	1520	970	5800	2410	1520	970	6800	2410	1520	970	6/6	
4350		4250*4500	2194	1412	1161	4600	2525	1636	1085	5600	2525	1636	1085	6600	2525	1636	1085	6/6	
4500		4100*4250	2245	1463	1212	4600	2575	1686	1135	5600	2575	1686	1135	6600	2575	1686	1135	6/6	
4800		3800*4000	2345	1563	1312	4500	2680	1790	1240	5600	2680	1790	1240	6400	2680	1790	1240	6/6	
5000		3500*3750	2444	1662	1411	4500	2745	1860	1305	5600	2745	1860	1305	6200	2745	1860	1305	6(3)/6	
5400		2950*3350	2569	1787	1536	4200	2880	1990	1440	5300	2880	1990	1440	6000	2880	1990	1440	3/6	
6000		2300*2950	2810	2028	1777	4000	3080	2190	1640	5000	3080	2190	1640	5600	3080	2190	1640	3/6	
6300		\	\	\	\	3300	3220	2290	1780	4300	3220	2290	1780	5300	3220	2290	1780	3/3	
6500		1800*2700	2977	2195	1944	3100	3345	2360	1905	4100	3345	2360	1905	5100	3345	2360	1905	3/3	
7000	\	\	\	\	2500	3455	2520	2015	3500	3455	2520	2015	4500	3455	2520	2015	3/3		

h1=Max.Lift Height; c=Load Capacity; h2=Lowered Mast Height; h3=Free Lift Height(without backrest) ; h4=Overhead guard height; h5=Free Lift Height(with backrest); F/R=Tilting Angle F/R; and the digital after * in this table shows the load capacity of machine with double front tires optional.

Optional Engine(for Compact 5t)					
Engine Model	Manufacturer	Rated Power(kw/rpm)	Max.Torque(Nm/rpm)	Bore/Number of Cylinders/Displacement (mm/L)	Fuel Consumption(g/KW·h)
CA4DX23	Xichai	60/2200	320/1500	102/4/3.8	230
S6S	Mitsubishi	52/2300	248/1700	94/6/4.96	260
YN4EL	Yunnei	62.5/2200	320/1600	102/4/3.8	215

Optional Engine(for 5t&6t&7t)					
Engine Model	Manufacturer	Rated Power(kw/rpm)	Max.Torque (Nm/rpm)	Bore/Number of Cylinders/Displacement (mm/L)	Fuel Consumption(g/KW·h)
CA6110/125G2	China	83/2000	450/1400 ~ 1500	110/6/7.127	230
CA4DF3	China	85/2200	460/1500 ~ 1600	110/4/4.75	230
CY6B332	Chaochai	85/2200	450/1400 ~ 1600	102/6/5.87	235
YC4A125-T300	Yuchai	92/2200	480/1400 ~ 1800	108/4/4.83	225
6BG1	ISUZU	82/2000	416/1500	105/6/6.494	292
YN4F	Yunnei	85/2200	460/1400 ~ 1600	102/4/4	215



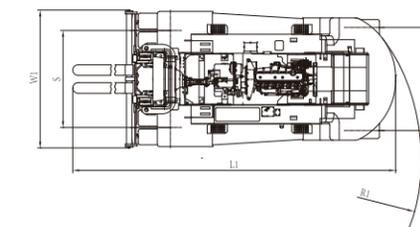
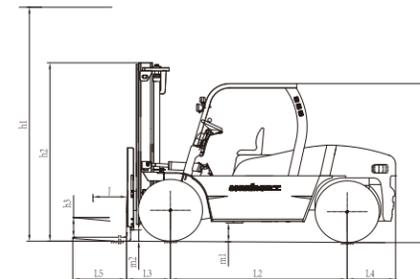
LG85DT/LG100DT overall specifications

LG85DT/LG100DT mast specifications

Identification	1.1	Manufacturer		LONKING	LONKING	
	1.2	Model		LG85DTIII	LG100DTIII	
	1.4	Power type (electric,diesel, petrol LPG)		Diesel	Diesel	
	1.5	Type of operation: hand, pedestrian, standing, seated, order-picker		Seated	Seated	
	1.6	Load capacity/rated load	kg	8500	10000	
	1.7	Load center distance	J	mm	600	600
	1.8	Front overhang	L3	mm	705	720
	1.9	Rear overhang	L4	mm	740	740
	2.0	Wheelbase	L2	mm	2500	3000
Weights	2.1	Dead weight	kg	12300	13500	
	2.2	Axle loading,loaded front/rear	kg	18500/2100	21200/2300	
	2.3	Axle loading,unloaded front/rear	kg	5600/6700	6100/7400	
Wheels,Chassis	3.1	Tires:pneumatic,solid rubber		pneumatic	pneumatic	
	3.2	Tires size,front		9.00-20-14PR	9.00-20-14PR	
	3.3	Tires size,rear		9.00-20-14PR	9.00-20-14PR	
	3.4	Wheels,number front / rear(X=driven wheels)		X=4/2	X=4/2	
	3.5	Track width,front	S	mm	1600	1600
	3.6	Track width,rear	P	mm	1700	1700
Basic Dimensions	4.11	Mast/fork carriage tilt forward backward	α/β	degrees	6/12	6/12
	4.12	Lowered mast height	h2	mm	2700	2845
	4.13	Free lift height	h3	mm	200	200
	4.14	STD Max lift height	h1	mm	3000	3000
	4.15	Overhead guard height	h4	mm	2560	2560
	4.16	Distance from seat to overhead guard	SIP	mm	1060	1060
	4.17	Overall length	L1	mm	5465	5780
	4.18	Length to face of forks	L6	mm	3945	4260
	4.19	Overall width	W1	mm	2165	2165
	4.2	Fork dimensions(hook type)	L5×W×T	mm	1520×170×70	1520×175×85
	4.21	Fork carriage ISO 2328, class / type A,B			5/A	5/A
	4.22	Fork-carriage width		mm	2060	2203
	4.23	Ground clearance, under mast	m2	mm	240	240
	4.24	Ground clearance,centre of wheelbase	m1	mm	280	280
	4.25	Aisle width for pallets 1,000x1,200 crossways (LxW)	AST	mm	5605	5620
4.26	Aisle width for pallets 800x1,200 lengthways (WxL)	AST	mm	\	\	
4.27	Turning radius	R1	mm	3700	3900	
Performance Data	5.1	Max.traveling speed, unloaded	km/h	28	28	
	5.2	Max.lifting speed, loaded/ unloaded	mm/s	390/420	330/350	
	5.3	Lowering speed, loaded/unloaded	mm/s	< 600	< 600	
	5.7	Max.gradient	%	20	20	
	5.9	Service brake		Hydraulic	Hydraulic	
	5.10	Parking brake		Hand	Hand	
Other Details	7.1	Operating pressure	Mpa	19.6	19.6	
	7.2	Fuel tank capacity	L	160	160	
	7.4	Type of drive		Automatic	Automatic	

Item	Lift height	LG85DTIII								F/R(°)
	h1(mm)	c(kg)	h2(mm)	h3(mm)	h5(mm)	c(kg)	h2(mm)	h3(mm)	h5(mm)	
2 Stage Standard Mast	3000	8500	2695	200	200	10000	2845	215	215	6/12
	3300	8500	2845	200	200	10000	2995	215	215	6/12
	3500	8500	2945	200	200	10000	3095	215	215	6/12
	3750	8500	3070	200	200	10000	3220	215	215	6/12
	4000	8500	3245	200	200	10000	3395	215	215	6/6
	4250	8500	3370	200	200	10000	3520	215	215	6/6
	4500	8500	3495	200	200	10000	3645	215	215	6/6
	4750	8200	3620	200	200	10000	3770	215	215	6/6
	5000	8200	3745	200	200	10000	3895	215	215	6/6
	5500	7850	4045	200	200	9000	4195	215	215	3/6
2 Stage Free Mast	2000	\	\	\	\	8000	2345	1040	\	6/12
	3000	\	\	\	\	8000	2845	1540	\	6/12
	3300	\	\	\	\	8000	2995	1690	\	6/12
	3500	\	\	\	\	8000	3095	1790	\	6/12
	3700	\	\	\	\	8000	3195	1895	\	6/12
	4000	\	\	\	\	8000	3395	2095	\	6/12
	4250	\	\	\	\	8000	3520	2215	\	6/12
3 Stage Free Mast	4500	\	\	\	\	8000	3645	2340	\	6/12
	4000	\	\	\	\	8000	2675	1370	1212	6/12
	4350	\	\	\	\	8000	2795	1490	1332	6/12
	4500	\	\	\	\	8000	2845	1540	1382	6/6
	4800	\	\	\	\	7500	2945	1640	1482	6/6
	5000	\	\	\	\	7500	3010	1705	1547	3/6
	5400	\	\	\	\	7000	3200	1895	1737	3/6
	5500	\	\	\	\	6000	3400	2095	1937	3/6
	6000	\	\	\	\	5800	3500	2195	2037	3/6
	6500	\	\	\	\	5600	3565	2260	2102	3/6

h1=Max.Lift Height; c=Load Capacity; h2=Lowered Mast Height; h3=Free Lift Height(without backrest) ; h4=Overhead guard height; h5=Free Lift Height(with backrest); F/R=Tilting Angle F/R.



Optional Engine(for 8.5t)					
Engine Model	Manufacturer	Rated Power (kw/rpm)	Max.Torque (Nm/rpm)	Bore/Number of Cylinders/Displacement (mm/L)	Fuel Consumption (g/KW·h)
CY6B332	Chaochai	85/2200	450/1500	102/6/5.87	235
CA4DF3	Xichai	85/2200	460/1500	110/4/4.75	230
6BG1	ISUZU	82/2000	416/1500	105/6/6.494	292
1104D-E44TA	Perkins	87/2200	518/1400	105/4/4.4	230
YC4A125-T300	Yuchai	92/2200	480/1400	108/4/4.83	225

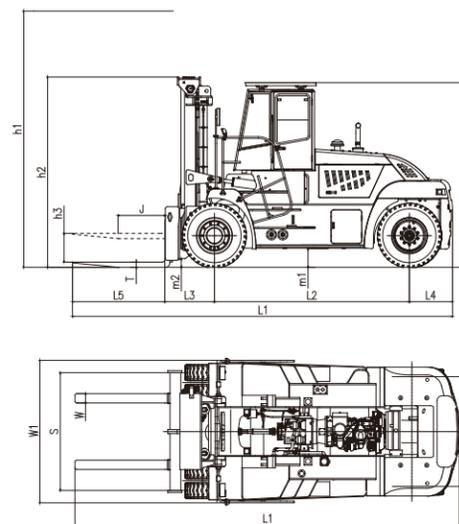
Optional Engine(for 10t)					
Engine Model	Manufacturer	Rated Power (kw/rpm)	Max.Torque (Nm/rpm)	Bore/Number of Cylinders/Displacement (mm/L)	Fuel Consumption (g/KW·h)
1104D-E44TA	Perkins	87/2200	518/1400	105/4/4.4	230
6BG1	ISUZU	82/2000	416/1500	105/6/6.494	292
CA4DF3	Xichai	85/2200	460/1500	110/4/4.75	230
CY6B332	Chaochai	85/2200	450/1400	102/6/5.87	235
YC4A125-T300	Yuchai	92/2200	480/1400	108/4/4.83	225

LG80DT/LG100DT/LG120DT/LG160DT/LG250DT overall specifications

LG80DT/LG100DT/LG120DT/LG160DT/LG250DT mast specifications

Item	Lift height	LG80DT				LG100DT				LG120DT				LG160DT				LG250DT				F/R(°)	
		h1(mm)	c(kg)	h2(mm)	h3(mm)	h5(mm)	c(kg)	h2(mm)	h3(mm)	h5(mm)	c(kg)	h2(mm)	h3(mm)	h5(mm)	c(kg)	h2(mm)	h3(mm)	h5(mm)	c(kg)	h2(mm)	h3(mm)		h5(mm)
2 Stage Standard Mast	3000	8000	2845	200	200	10000	2845	210	210	12000	3168	\	\	16000	3425	\	\	\	\	\	\	\	6/12
	3250	\	\	\	\	\	\	\	\	\	\	\	\	\	\	\	\	\	\	\	\	\	6/12
	3300	8000	2995	200	200	10000	2995	210	210	12000	3318	\	\	16000	3575	\	\	\	\	\	\	\	6/12
	3500	8000	3095	200	200	10000	3095	210	210	12000	3418	\	\	16000	3675	\	\	\	\	\	\	\	6/12
	3750	8000	3220	200	200	10000	3220	210	210	\	\	\	\	\	\	\	\	\	\	\	\	\	6/12
	4000	7800	3395	200	200	9800	3395	210	210	12000	3668	\	\	16000	3925	\	\	25000	4000	6000	\	\	6/6(6/12)
	4250	7500	3520	200	200	9500	3520	210	210	\	\	\	\	\	\	\	\	\	\	\	\	\	6/6(6/12)
	4500	7300	3645	200	200	9300	3645	210	210	11500	3918	\	\	15500	4225	\	\	\	\	\	\	\	6/6
	4750	7000	3770	200	200	9000	3770	210	210	\	\	\	\	\	\	\	\	\	\	\	\	\	6/6
	5000	6800	3895	200	200	8800	3895	210	210	11000	4168	\	\	15000	4475	\	\	\	\	\	\	\	6/6
5500	6500	4195	200	200	8500	4195	210	210	10500	4418	\	\	14500	4755	\	\	\	\	\	\	\	3/6	
6000	6000	4445	200	200	8000	4445	210	210	10000	4668	\	\	14000	5005	\	\	\	\	\	\	\	3/6	
6500	\	\	\	\	\	\	\	\	9500	4918	\	\	13500	5305	\	\	\	\	\	\	\	3/6	
7000	\	\	\	\	\	\	\	\	9000	5168	\	\	13400	5555	\	\	\	\	\	\	\	3/6	

h1=Max.Lift Height; c=Load Capacity; h2=Lowered Mast Height; h3=Free Lift Height(without backrest) ; h4=Overhead guard height; h5=Free Lift Height(with backrest); F/R=Tilting Angle F/R.



Optional Engine(for 8t)					
Engine Model	Manufacturer	Rated Power (kw/rpm)	Max. Torque (Nm/rpm)	Bore/Number of Cylinders/Displacement (mm/L)	Fuel Consumption (g/KW·h)
YC6B125	China	92/2200	463/1600	108/6/6.781	235

Optional Engine(for10t)					
Engine Model	Manufacturer	Rated Power (kw/rpm)	Max. Torque (Nm/rpm)	Bore/Number of Cylinders/Displacement (mm/L)	Fuel Consumption (g/KW·h)
YC6B125	China	92/2200	463/1600	108/6/6.781	235

Optional Engine(for12t)					
Engine Model	Manufacturer	Rated Power (kw/rpm)	Max. Torque (Nm/rpm)	Bore/Number of Cylinders/Displacement (mm/L)	Fuel Consumption (g/KW·h)
QSB4.5-C160	Cummins	119/2200	624/1400	107/4/4.5	230
CA6DF3	Xichai	118/2200	640/1300	110/6/7.12	230

Optional Engine(for 16t)					
Engine Model	Manufacturer	Rated Power (kw/rpm)	Max. Torque (Nm/rpm)	Bore/Number of Cylinders/Displacement (mm/L)	Fuel Consumption (g/KW·h)
YC6J175-T300	China, Yuchai	129/2200	710/1400~1700	105/6/6.494	230
QSB6.7-C190	Cummins	142/2300	931/1500	107/6/6.7	230
WP6G190E330	Weichai	140/2200	760/1400~1600	105/6/6.75	225
YC6A200-T300	Yuchai	147/2200	800/1400~1700	108/6/7.25	230

Optional Engine(for 25t)					
Engine Model	Manufacturer	Rated Power (kw/rpm)	Max. Torque (Nm/rpm)	Bore/Number of Cylinders/Displacement (mm/L)	Fuel Consumption (g/KW·h)
TAD722VE	Volvo	200/2300	1050/1500	108/6/7.2	235
QSB6.7-C260	DF Cummins	194/2200	990/1500	107/6/6.7	230

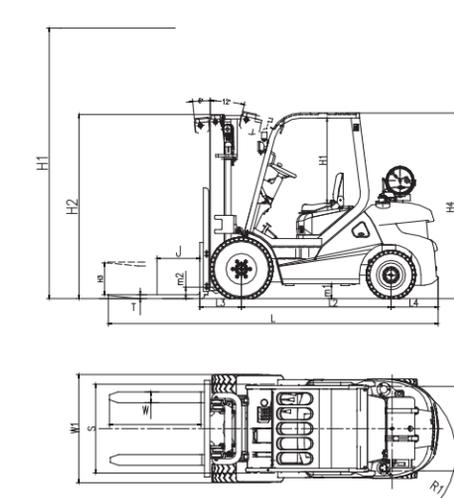
LG20GLT/LG25GLT/LG30GLT/LG35GLT overall specifications

LG20GLT/LG25GLT/LG30GLT/LG35GLT mast specifications

Identification	1.1 Manufacturer		LONKING	LONKING	LONKING	LONKING	
	1.2 Model		LG20GLT(III)	LG25GLT(III)	LG30GLT (III)	LG35GLT(III)	
1.4 Power type (electric,diesel, petrol LPG)		petrol LPG	petrol LPG	petro/LPG	petrol LPG		
1.5 Type of operation:hand,pedestrian,standing,seated,order-picker		Seated	Seated	Seated	Seated		
1.6 Load capacity/rated load		kg	2000	2500	3000	3500	
1.7 Load center distance	J	mm	500	500	500	500	
1.8 Front overhang	L3	mm	448	448	487	498	
1.9 Rear overhang	L4	mm	500	500	550	580	
2.0 Wheelbase	L2	mm	1650	1650	1750	1750	
Weights	2.1 Dead weight		kg	3260	3500	4200	4635
	2.2 Axle loading,loaded front/rear		kg	\	\	\	\
	2.3 Axle loading,unloaded front/rear		kg	\	\	\	\
Wheels,Chassis	3.1 Tires:pneumatic,solid rubber			pneumatic	pneumatic	pneumatic	pneumatic
	3.2 Tires size,front			7.00-12-12PR	7.00-12-12PR	28x9-15-14PR	28x9-15-14PR
	3.3 Tires size,rear			6.00-9-10PR	6.00-9-10PR	6.5-10-10PR	6.5-10-10PR
	3.4 Wheels,number front / rear(X=driven wheels)			X=2/2	X=2/2	X=2/2	X=2/2
	3.5 Track width,front	S	mm	970	970	1030	1030
	3.6 Track width,rear	P	mm	980	980	980	980
Basic Dimensions	4.11 Mast/fork carriage tilt forward backward	α/β	degrees	6/12	6/12	6/12	6/12
	4.12 Lowered mast height	h2	mm	2135	2135	2132	2180
	4.13 Free lift height	h3	mm	110	110	125	170
	4.14 STD Max lift height	h1	mm	3000	3000	3000	3000
	4.15 Overhead guard height	h4	mm	2130	2130	2150	2150
	4.16 Distance from seat to overhead guard	SIP	mm	1000	1000	1000	1000
	4.17 Overall length	L1	mm	3670	3670	3850	3898
	4.18 Length to face of forks	L6	mm	2598	2598	2787	2828
	4.19 Overall width	W1	mm	1165	1165	1250	1250
	4.2 Fork dimensions(hook type)	L5*W*T	mm	1070*120*40	1070*120*40	1070*125*45	1070*125*50
	4.21 Fork carriage ISO 2328, class / type A,B			2/A	2/A	3/A	3/A
	4.22 Fork-carriage width		mm	1040	1040	1100	1100
	4.23 Ground clearance, under mast	m2	mm	135	135	130	130
	4.24 Ground clearance,centre of wheelbase	m1	mm	160	160	165	165
	4.25 Aisle width for pallets 1,000x1,000 crossways (LxW)	AST	mm	3950	3950	4200	4225
4.26 Aisle width for pallets 800x1,200 lengthways (WxL)	AST	mm	\	\	\	\	
4.27 Turning radius	R1	mm	2300	2300	2520	2530	
Performance Data	5.1 Max.traveling speed, unloaded		km/h	20	20	20	20
	5.2 Max.lifting speed, loaded/ unloaded		mm/s	560/580	560/580	500/520	400/420
	5.3 Lowering speed, loaded/unloaded		mm/s	< 600	< 600	< 600	< 600
	5.7 Max.gradient		%	20	20	20	20
	5.9 Service brake			Hydraulic	Hydraulic	Hydraulic	Hydraulic
5.10 Parking brake			Hand	Hand	Hand	Hand	
Other Details	7.1 Operating pressure		Mpa	17.5	19.5	19.5	19.5
	7.2 Fuel tank capacity		L	50	50	60	60
	7.4 Type of drive			Automatic			

Item	LG20GLTIII				LG25GLTIII				LG30GLTIII				LG35GLTIII				F/R(°)	
	h1(mm)	c(kg)	h2(mm)	h3(mm)	h5(mm)	c(kg)	h2(mm)	h3(mm)	h5(mm)	c(kg)	h2(mm)	h3(mm)	h5(mm)	c(kg)	h2(mm)	h3(mm)		h5(mm)
2 Stage Standard Mast	2000	2000	1635	110	110	2500	1635	110	110	3000	1632	125	125	3500	1632	125	125	6/12
	2500	2000	1885	110	110	2500	1885	110	110	3000	1882	125	125	3500	1882	125	125	6/12
	3000	2000	2135	110	110	2500	2135	110	110	3000	2132	125	125	3500	2132	125	125	6/12
	3300	2000	2285	110	110	2500	2285	110	110	3000	2282	125	125	3500	2282	125	125	6/12
	3500	2000	2385	110	110	2500	2385	110	110	3000	2382	125	125	3500	2382	125	125	6/12
	3750	2000	2510	110	110	\	2510	110	110	3000	2507	125	125	3500	2507	125	125	6/6
	4000	2000	2685	110	110	2500	2685	110	110	3000	2682	125	125	3300*3500	2682	125	125	6/6
	4250	1900	2810	110	110	2300	2810	110	110	2850*3000	2807	125	125	3200*3500	2807	125	125	6/6
	4500	1800	2935	110	110	2100	2935	110	110	2600*2800	2932	125	125	2900*3100	2932	125	125	6/6
	5000	1100	3185	110	110	1600	3185	110	110	2100*2400	3182	125	125	2400*2750	3182	125	125	6/6
	5500*	900	3485	110	110	1200	3485	110	110	1700*2200	3482	125	125	1800*2400	3482	125	125	6/6
	6000*	700	3735	110	110	900	3735	110	110	1300*2000	3732	125	125	1400*2200	3732	125	125	6/6
2 Stage Free Mast	2000	2000	1635	950	660	2500	1635	950	660	3000	1632	\	350	3500	1632	\	350	6/12
	2500	2000	1885	1200	910	2500	1885	1200	910	3000	1882	\	600	3500	1882	\	600	6/12
	2750	2000	2010	1325	1035	2500	2010	1325	1035	3000	2007	\	725	3500	2007	\	725	6/12
	3000	2000	2135	1450	1160	2500	2135	1450	1160	3000	2132	\	850	3500	2132	\	850	6/12
	3300	2000	2285	1600	1310	2500	2285	1600	1310	3000	2282	\	1000	3500	2282	\	1000	6/12
	3500	2000	2385	1700	1410	2500	2385	1700	1410	3000	2382	\	1100	3500	2382	\	1100	6/12
	3750	1950	2510	1825	1535	2300	2510	1825	1535	3000	2507	\	1225	3500	2507	\	1225	6/6
	4000	1850	2685	2000	1710	2000	2685	2000	1710	3000	2682	\	1400	3500	2682	\	1400	6/6
	4500	1650	2935	2250	1960	1750	2935	2250	1960	2800	2932	\	1650	3100	2932	\	1650	6/6
	4000	1900	2010	1208	1008	2300	2010	1208	1008	2800*2900	1952	1379	715	3300*3300	1952	1379	715	6/6
	4350	1850	2135	1335	1133	2200	2135	1335	1133	2700*2900	2077	1504	840	3100*3300	2077	1504	840	6/6
	4500	1750	2198	1372	1196	2000	2198	1372	1196	2500*2800	2140	1567	903	2800*3000	2140	1567	903	6/6
3 Stage Free Mast	4700	1720	2263	1461	1261	1800	2263	1461	1261	2350*2550	2205	1632	968	2600*2800	2205	1632	968	6/6
	4800	1700	2285	1484	1283	1700	2285	1484	1283	2250*2450	2227	1654	990	2500*2750	2227	1654	990	6/6
	5000	1600	2385	1584	1383	1500	2385	1584	1383	2100*2300	2327	1754	1090	2300*2600	2327	1754	1090	6/6
	5400	1450	2510	1708	1508	1200	2510	1708	1508	1650*2100	2452	1879	1215	1800*2300	2452	1879	1215	6/6
	5500	\	\	\	\	\	\	\	\	1500*2000	2492	1919	1255	1700*2200	2492	1919	1255	3/6
	6000	950	2735	1934	1733	800	2735	1934	1733	1200*1800	2677	2104	1440	1300*2000	2677	2104	1440	3/6
	6500*	500	2950	2149	1948	600	2950	2149	1948	900*1500	2892	2319	1655	1000*1600	2892	2319	1655	3/3

h1=Max.Lift Height; c=Load Capacity; h2=Lowered Mast Height; h3=Free Lift Height(without backrest) ; h4=Overhead guard height; h5=Free Lift Height(with backrest); F/R=Tilting Angle F/R;h1* means machine with this kind of mast must choose double front tires; and the digital after * in this table shows the load capacity of machine with double front tires optional.



Optional Engine(for 2t&2.5t)					
Engine Model	Manufacturer	Rated Power (kw/rpm)	Max.Torque (Nm/rpm)	Bore/Number of Cylinders/Displacement	Fuel Consumption
K21	NISSAN	31.2/2250	143.7/1600	89/4/2.065 (mm/L)	288 (g/KW·h)
PSI2.4	PSI	48/2700	170/2400~2800	86.5/4/2.351	298

Optional Engine(for 3t&3.5t)					
Engine Model	Manufacturer	Rated Power (kw/rpm)	Max.Torque (Nm/rpm)	Bore/Number of Cylinders/Displacement (mm/L)	Fuel Consumption (g/KW·h)
K25	NISSAN	35.6/2100	176.5/1600	89/4/2.488	299
GQ-4Y	China	Gasoline:41/2800	Gasoline:161/1800~2200	91/4/2.237	280
		LPG:37/2800	LPG:154/1800		

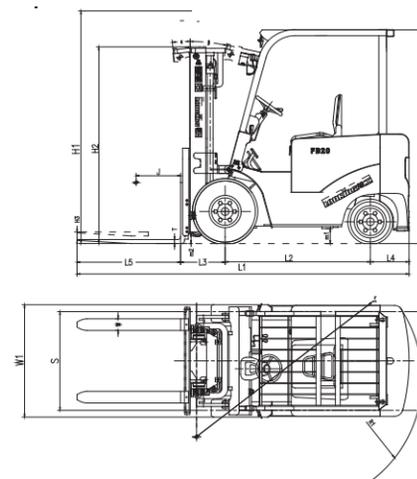
LG13BE/LG16BE/LG18BE/LG20BE overall specifications

Item	LG13BE				LG16BE				LG18BE				LG20BE				F/R(°)	
	h1(mm)	c(kg)	h2(mm)	h3(mm)	h5(mm)	c(kg)	h2(mm)	h3(mm)	h5(mm)	c(kg)	h2(mm)	h3(mm)	h5(mm)	c(kg)	h2(mm)	h3(mm)		h5(mm)
Identification	1.1	Manufacturer		LONKING	LONKING	LONKING	LONKING											
	1.2	Model		LG13BE	LG16BE	LG18BE	LG20BE											
	1.4	Power Type (electric,diesel, petrol LPG)		Electric(AC)	Electric(AC)	Electric(AC)	Electric(AC)											
	1.5	Type of operation:hand,pedestrian,standing,seated,order-picker		Seated	Seated	Seated	Seated											
	1.6	Load capacity/rated load		kg	1300	1600	1800	2000										
	1.7	Load center distance		J	mm	500	500	500	500									
	1.8	Front overhang		L3	mm	355	355	355	355									
	1.9	Rear overhang		L4	mm	190	190	190	190									
	2.0	Wheelbase		L2	mm	1250	1360	1360	1466									
Weights	2.1	Dead weight		kg	2920	3100	3216	3390										
	2.2	Axle loading,loaded front/rear		kg	3666/554	4200/500	4487/529	4810/580										
	2.3	Axle loading,unloaded front/rear		kg	1396/1524	1480/1620	1479/1737	1573/1817										
Wheels,Chassis	3.1	Tires:pneumatic,solid rubber			solid rubber	solid rubber	solid rubber	solid rubber										
	3.2	Tires size,front			18×7-8 PR	18×7-8 PR	18×7-8 PR	200×50-10 PR										
	3.3	Tires size,rear			15×4.5-8 PR	15×4.5-8 PR	15×4.5-8 PR	15×4.5-8 PR										
	3.4	Wheels,number front / rear(X=driven wheels)			X=2/1	X=2/1	X=2/1	X=2/1										
	3.5	Track width,front		S	mm	902	902	902	924									
	3.6	Track width,rear		P	mm	175	175	175	175									
Basic Dimensions	4.11	Mast/fork carriage tilt forward backward		α/β	degrees	6.5/6.5	6.5/6.5	6.5/6.5	6.5/6.5									
	4.12	Lowered mast height		h2	mm	1995	1995	1995	1995									
	4.13	Free lift height		h3	mm	145	145	145	145									
	4.14	STD Max lift height		h1	mm	3000	3000	3000	3000									
	4.15	Overhead guard height		h4	mm	1965	1965	1965	1965									
	4.16	Distance from seat to overhead guard		SIP	mm	\	\	\	\									
	4.17	Overall length		L1	mm	2715	2825	2825	2931									
	4.18	Length to face of forks		L6	mm	1795	1905	1905	1861									
	4.19	Overall width		W1	mm	1060	1060	1060	1120									
	4.2	Fork dimensions(hook type)		L5×W×T	mm	920×100×35	920×100×35	920×100×35	1070×120×40									
	4.21	Fork carriage ISO 2328, class / type A,B				2/A	2/A	2/A	2/A									
	4.22	Fork-carriage width			mm	1050	1050	1050	1050									
	4.23	Ground clearance, under mast		m2	mm	95	95	95	95									
	4.24	Ground clearance,centre of wheelbase		m1	mm	100	100	100	100									
	4.25	Aisle width for pallets 1,000x1,200 crossways (LxW)		AST	mm	2995	3105	3105	3213									
	4.26	Aisle width for pallets 800x1,200 lengthways (WxL)		AST	mm	3195	3305	3305	3413									
	4.27	Turning radius		R1	mm	1440	1550	1550	1658									
Performance Data	5.1	Max.traveling speed, unloaded		km/h	14	13.5	13.5	15										
	5.2	Max.lifting speed, loaded/ unloaded		km/h	300/450	280/440	270/430	250/440										
	5.3	Lowering speed, loaded/unloaded		km/h	<600/<300	<600/<300	<600/<300	<600										
	5.7	Max.gradient(Loaded/Unloaded)			16/20	15/15	15/15	15/15										
	5.9	Service brake			Foot	Foot	Foot	Foot										
5.10	Parking brake			Hand	Hand	Hand	Hand											
Electric	6.1	Controller			ZAPI	ZAPI	ZAPI	ZAPI										
	6.2	Lift motor(AC)		kW	10	10	10	11										
	6.3	Travel motor(AC)		kW	4.5X2	4.5X2	4.5X2	4.5X2										
Other Details	7.1	Operating pressure		Mpa	14.5	14.5	14.5	17.5										
	7.2	Battery		V/Ah	48/400	48/500	48/500	48/600										
	7.3	Drive type			Front dual drive													

LG13BE/LG16BE/LG18BE/LG20BE overall specifications

Item	LG13BE				LG16BE				LG18BE				LG20BE				F/R(°)	
	h1(mm)	c(kg)	h2(mm)	h3(mm)	h5(mm)	c(kg)	h2(mm)	h3(mm)	h5(mm)	c(kg)	h2(mm)	h3(mm)	h5(mm)	c(kg)	h2(mm)	h3(mm)		h5(mm)
2 Stage Standard Mast	2500	1300	1745	145	145	1600	1745	145	145	1800	1745	145	145	2000	1745	145	145	6.5/6.5
	3000	1300	1995	145	145	1600	1995	145	145	1800	1995	145	145	2000	1995	145	145	6.5/6.5
	3300	1300	2145	145	145	1600	2145	145	145	1800	2145	145	145	2000	2145	145	145	6.5/6.5
	3500	1300	2245	145	145	1600	2245	145	145	1800	2245	145	145	2000	2245	145	145	6.5/6.5
	3600	1300	2295	145	145	1600	2295	145	145	1800	2295	145	145	2000	2295	145	145	6.5/6.5
	4000	1300	2495	145	145	1600	2495	145	145	1800	2495	145	145	2000	2495	145	145	3.5/5
	4300	1200	2645	145	145	1500	2645	145	145	1700	2645	145	145	1900	2645	145	145	3.5/5
	4500	800	2795	145	145	1200	2795	145	145	1400	2795	145	145	1600	2795	145	145	3.5/5
	4800	650	2945	145	145	1100	2945	145	145	1300	2945	145	145	1500	2945	145	145	3.5/5
	5000	600	3095	145	145	900	3095	145	145	1100	3095	145	145	1300	3095	145	145	3.5/5
2 Stage Free Mast	2500	1300	1745	1200	810	1600	1745	1200	810	1800	1745	1200	810	2000	1745	1200	810	6.5/6.5
	3000	1300	1995	1450	1060	1600	1995	1450	1060	1800	1995	1450	1060	2000	1995	1450	1060	6.5/6.5
	3300	1300	2145	1600	1210	1600	2145	1600	1210	1800	2145	1600	1210	2000	2145	1600	1210	6.5/6.5
	3500	1300	2245	1700	1310	1600	2245	1700	1310	1800	2245	1700	1310	2000	2245	1700	1310	6.5/6.5
	3600	1300	2295	1825	1360	1600	2295	1825	1360	1800	2295	1825	1360	2000	2295	1825	1360	6.5/6.5
3 Stage Free Mast	4000	1300	2545	2000	1560	1600	2545	2000	1560	1800	2545	2000	1560	2000	2545	2000	1560	3.5/5
	4500	800	2095	1086	\	1500	2095	1086	\	1400	2095	1086	\	1600	2095	1086	\	3.5/5
	4800	650	2195	1186	\	1100	2195	1186	\	1300	2195	1186	\	1500	2195	1186	\	3.5/5
	5000	600	2265	1256	\	900	2265	1256	\	1100	2265	1256	\	1300	2265	1256	\	3.5/5
	5400	550	2395	1386	\	800	2395	1386	\	900	2395	1386	\	1100	2395	1386	\	3.5/5
	5500	500	2440	1431	\	750	2440	1431	\	850	2440	1431	\	1050	2440	1431	\	3.5/5
	6000	300	2595	1586	\	500	2595	1586	\	600	2595	1586	\	850	2595	1586	\	3.5/5

h1=Max.Lift Height; c=Load Capacity; h2=Lowered Mast Height; h3=Free Lift Height(without backrest) ; h4=Overhead guard height; h5=Free Lift Height(with backrest); F/R=Tilting Angle F/R.



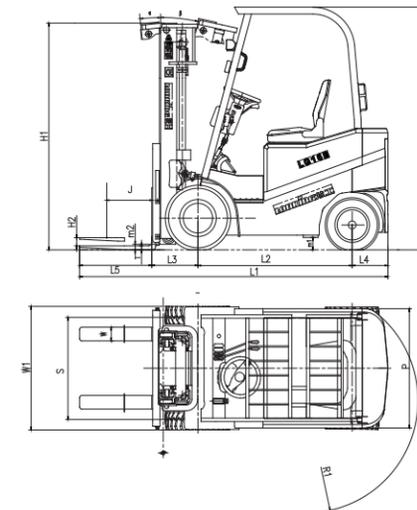
LG16B/LG20B/LG25B overall specifications

Identification	1.1	Manufacturer		LONKING	LONKING	LONKING		
	1.2	Model		LG16B	LG20B(Q)	LG25B(Q)		
1.4	Power Type (electric,diesel, petrol LPG)		Electric(AC)	Electric(AC)	Electric(AC)			
1.5	Type of operation:hand,pedestrian,standing,seated,order-picker		Seated	Seated	Seated			
1.6	Load capacity/rated load		kg	1600	2000	2500		
1.7	Load center distance	J	mm	500	500	500		
1.8	Front overhang	L3	mm	410	460	460		
1.9	Rear overhang	L4	mm	318	400	400		
2.0	Wheelbase	L2	mm	1370	1500	1500		
Weights	2.1	Dead weight		kg	3120	3900	4150	
	2.2	Axle loading,loaded front/rear		kg	4010/710	4900/1000	5790/760	
	2.3	Axle loading,unloaded front/rear		kg	1330/1790	1620/2280	1660/2390	
Wheels,Chassis	3.1	Tires:pneumatic,solid rubber			pneumatic	pneumatic	pneumatic	
	3.2	Tires size,front			6.5-10-10PR	7.0-12-12PR	7.00-12-12PR	
	3.3	Tires size,rear			5.00-8-10PR	18×7-8-14PR	18×7-8-14PR	
	3.4	Wheels,number front / rear(X=driven wheels)			X=2/2	X=2/2	X=2/2	
	3.5	Track width,front	S	mm	890	950	950	
	3.6	Track width,rear	P	mm	920	930	930	
Basic Dimensions	4.11	Mast/fork carriage tilt forward backward	α/β	degrees	6/12	6/12	6/12	
	4.12	Lowered mast height	h2	mm	1987	2012	2012	
	4.13	Free lift height	h3	mm	105	160	160	
	4.14	STD Max lift height	h1	mm	3000	3000	3000	
	4.15	Overhead guard height	h4	mm	2135	2210	2210	
	4.16	Distance from seat to overhead guard	SIP	mm	1045	1010	1010	
	4.17	Overall length	L1	mm	3018	3430	3430	
	4.18	Length to face of forks	L6	mm	2098	2360	2360	
	4.19	Overall width	W1	mm	1080	1150	1150	
	4.2	Fork dimensions(hook type)	L5×W×T	mm	920×100×35	1070×120×40	1070×120×40	
	4.21	Fork carriage ISO 2328, class / type A,B			2/A	2/A	2/A	
	4.22	Fork-carriage width		mm	1000	1040	1056	
	4.23	Ground clearance, under mast	m2	mm	\	\	\	
	4.24	Ground clearance,centre of wheelbase	m1	mm	130	173	173	
	4.25	Aisle width for pallets 1,000x1,200 crossways (LxW)	AST	mm	3510	3810	3810	
	4.26	Aisle width for pallets 800x1,200 lengthways (WxL)	AST	mm	3710	4010	4010	
	4.27	Turning radius	R1	mm	1900	2150	2150	
	Performance Data	5.1	Max.traveling speed, unloaded		km/h	14	14	12
		5.2	Max.lifting speed, loaded/ unloaded		mm/s	260/420	280/440	260/420
		5.3	Lowering speed, loaded/unloaded		mm/s	<600	<600	<600
		5.7	Max.gradient(Loaded/Unloaded)		%	12/15	12/15	12/15
		5.9	Service brake			Foot	Foot	Foot
	5.10	Parking brake			Hand	Hand	Hand	
	Electric	6.1	Controller			ZAPI	ZAPI	ZAPI
		6.2	Lift motor(AC)		kW	10	12	12
		6.3	Travel motor(AC)		kW	7.5	11	11
	Other Details	7.1	Operating pressure		Mpa	14.5	17.5	17.5
7.2		Battery		V/Ah	48/450	48/600	48/600	

LG16B/LG20B/LG25B overall specifications

Item	LG16B					LG20B(Q)				LG25B(Q)				F/R (°)
	h1(mm)	c(kg)	h2(mm)	h3(mm)	h5(mm)	c(kg)	h2(mm)	h3(mm)	h5(mm)	c(kg)	h2(mm)	h3(mm)	h5(mm)	
2 Stage Standard Mast	2000	1600	1487	105	105	2000	1530	140	140	2500	1530	140	140	6/6
	2500	1600	1737	105	105	2000	1780	140	140	2500	1780	140	140	6/12
	3000	1600	1987	105	105	2000	2030	140	140	2500	2030	140	140	6/12
	3300	1600	2137	105	105	2000	2180	140	140	2500	2180	140	140	6/12
	3500	1600	2237	105	105	2000	2280	140	140	2500	2280	140	140	6/12
	3700	\	\	\	\	2000	2380	140	140	2500	2380	140	140	6/6
	3750	1600	2362	105	105	\	\	\	\	\	\	\	\	6/6
	4000	1500	2537	105	105	1950	2580	140	140	2400*2500	2580	140	140	6/6
	4250	1400	2662	105	105	1900	2705	140	140	2200*2475	2705	140	140	6/6
	4500	1300	2787	105	105	1800	2830	140	140	1900*2450	2830	140	140	6/6
	5000	1000	3037	105	105	1400	3080	140	140	1500*2250	3080	140	140	6/6
	5500	800	3337	105	105	1200	3380	140	140	1300*1700	3380	140	140	3/6
6000	500	3587	105	105	1000	3630	140	140	1000*1300	3630	140	140	3/6	
2 Stage Free Mast	2000	1600	1595	1040	690	2000	1562	1052	627	2500	1562	1052	627	6/6
	2500	1600	1845	1290	940	2000	1815	1302	877	2500	1815	1302	877	6/12
	3000	1600	2095	1540	1190	2000	2062	1522	1127	2500	2062	1522	1127	6/12
	3300	1600	2245	1690	1340	2000	2215	1702	1277	2500	2215	1702	1277	6/12
	3500	1600	2345	1790	1440	2000	2312	1802	1377	2500	2312	1802	1377	6/12
	3750	1600	2470	1915	1565	2000	2437	1927	1502	2500	2437	1927	1502	6/6(12)
	4000	1500	2645	2090	1740	2000	2612	2102	1677	2500	2612	2102	1677	6/6
4500	1250	2895	2340	1990	1600	2862	2352	1927	2100	2862	2352	1927	6/6	
3 Stage Free Mast	4000	1400	1920	1365	1015	1900	1940	1375	1005	2300	1940	1375	1005	6/6
	4350	1300	2055	1500	1150	1700	2065	1500	1130	2200	2065	1500	1130	6/6
	4500	1200	2095	1540	1190	1600	2128	1563	1193	2000	2128	1563	1193	6/6
	4700	\	\	\	\	1300	2193	1628	1258	1800	2193	1628	1258	6/6
	4800	1100	2195	1640	1290	1250	2215	1650	1280	1700	2215	1650	1280	6/6
	5000	950	2295	1740	1390	1100	2315	1750	1380	1500	2315	1750	1380	6/6
	5400	850	2420	1865	1515	900	2440	1875	1505	1200	2440	1875	1505	6(3)/6
	5500	\	\	\	\	800	2480	1915	1545	1100	2480	1915	1545	3/6
	6000	450	2645	2090	1740	600	2665	2100	1730	800	2665	2100	1730	3/6
	6500	150	2835	2280	1930	400	2880	2315	1945	600	2880	2315	1945	3/3

h1=Max.Lift Height; c=Load Capacity; h2=Lowered Mast Height; h3=Free Lift Height(without backrest) ; h4=Overhead guard height; h5=Free Lift Height(with backrest); F/R=Tilting Angle F/R; and the digital after * in this table shows the load capacity of machine with double front tires optional.



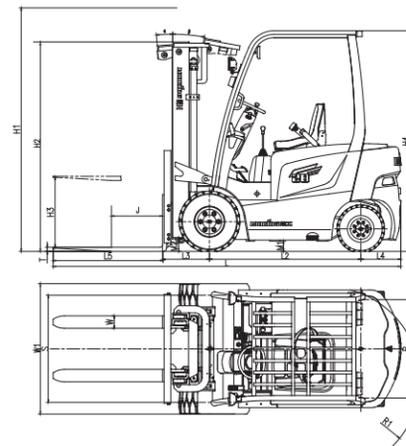
LG20B/LG25B overall specifications

LG20B/LG25B mast specifications

Identification	1.1	Manufacturer			LONKING	LONKING	
	1.2	Model			LG20B(III)	LG25B(III)	
	1.4	Power Type (electric,diesel, petrol LPG)			Electric(AC)	Electric(AC)	
	1.5	Type of operation:hand,pedestrian,standing,seated,order-picker			Seated	Seated	
	1.6	Load capacity/rated load		kg	2000	2500	
	1.7	Load center distance	J	mm	500	500	
	1.8	Front overhang	L3	mm	448	448	
	1.9	Rear overhang	L4	mm	392	392	
	2.0	Wheelbase	L2	mm	1480	1480	
Weights	2.1	Dead weight		kg	3880	4180	
	2.2	Axle loading,loaded front/rear		kg	5197/722	5990/690	
	2.3	Axle loading,unloaded front/rear		kg	1830/2010	1890/2290	
Wheels,Chassis	3.1	Tires:pneumatic,solid rubber			pneumatic	pneumatic	
	3.2	Tires size,front			23×9-10-16PR	23×9-10-16PR	
	3.3	Tires size,rear			18×7-8-14PR	18×7-8-14PR	
	3.4	Wheels,number front / rear(X=driven wheels)			X=2/2	X=2/2	
	3.5	Track width,front	S	mm	1037	1037	
	3.6	Track width,rear	P	mm	954	954	
Basic Dimensions	4.11	Mast/fork carriage tilt forward backward	α/β	degrees	5/10	5/10	
	4.12	Lowered mast height	h2	mm	2108	2108	
	4.13	Free lift height	h3	mm	110	110	
	4.14	STD Max lift height	h1	mm	3000	3000	
	4.15	Overhead guard height	h4	mm	2140	2140	
	4.16	Distance from seat to overhead guard	SIP	mm	1010	1010	
	4.17	Overall length	L1	mm	3390	3390	
	4.18	Length to face of forks	L6	mm	2320	2320	
	4.19	Overall width	W1	mm	1265	1265	
	4.2	Fork dimensions(hook type)	L5×W×T	mm	1070×120×40	1070×120×40	
	4.21	Fork carriage ISO 2328, class / type A,B			2/A	2/A	
	4.22	Fork-carriage width		mm	1040	1040	
	4.23	Ground clearance, under mast	m2	mm	110	110	
	4.24	Ground clearance,centre of wheelbase	m1	mm	100	100	
	4.25	Aisle width for pallets 1,000x1,200 crossways (LxW)	AST	mm	3738	3738	
	4.26	Aisle width for pallets 800x1,200 lengthways (WxL)	AST	mm	3938	3938	
	4.27	Turning radius	R1	mm	2090	2090	
	Performance Data	5.1	Max.traveling speed, unloaded		km/h	14	14
		5.2	Max.lifting speed, loaded/ unloaded		mm/s	280/440	280/440
		5.3	Lowering speed, loaded/unloaded		mm/s	<600/<300	<600/<300
		5.7	Max.gradient(Loaded/Unloaded)			13/14	13/14
		5.9	Service brake			Foot	Foot
	5.10	Parking brake			Hand	Hand	
	Electric	6.1	Controller			ZAPI	ZAPI
		6.2	Lift motor(AC)		kW	12	12
		6.3	Travel motor(AC)		kW	11	11
	Other Details	7.1	Operating pressure		Mpa	17.5	17.5
7.2		Battery		V/Ah	48/600	48/600	

Item	lift height	LG20B(W)				LG25B(W)				F/R (°)
		h1(mm)	c(kg)	h2(mm)	h3(mm)	h5(mm)	c(kg)	h2(mm)	h3(mm)	
2 Stage Standard Mast	2000	2000	1608	110	110	2500	1608	110	110	5/10
	2500	2000	1858	110	110	2500	1858	110	110	5/10
	3000	2000	2108	110	110	2500	2108	110	110	5/10
	3300	2000	2258	110	110	2500	2258	110	110	5/10
	3500	2000	2358	110	110	2500	2358	110	110	5/10
	3700	\	\	\	\	\	\	\	\	\
	3750	2000	2483	110	110	2500	2483	110	110	5/10
	4000	2000	2658	110	110	2500	2658	110	110	5/6
	4250	1850	2783	110	110	2350	2783	110	110	5/6
	4500	1600	2908	110	110	2300	2908	110	110	5/6
	5000	1200	3158	110	110	1800	3158	110	110	5/6
	5500	1000	3458	110	110	1300	3458	110	110	3/6
6000	800	3708	110	110	1100	3708	110	110	3/6	
2 Stage Free Mast	2000	2000	1608	840	525	2500	1608	840	525	5/10
	2500	2000	2858	1090	775	2500	2858	1090	775	5/10
	3000	2000	1983	1215	900	2500	1983	1215	900	5/10
	3300	2000	2108	1340	1025	2500	2108	1340	1025	5/10
	3500	2000	2258	1490	1175	2500	2258	1490	1175	5/10
	3750	2000	2483	1715	1400	2500	2483	1715	1400	5/10
3 Stage Free Mast	4000	2000	2658	1890	1575	2500	2658	1890	1575	5/6
	4500	1600	2908	2140	1825	2300	2908	2140	1825	5/6
	4000	1900	1983	1208	1008	2400	1983	1208	1008	6/6
	4350	1750	2108	1334	1133	2200	2108	1334	1133	6/6
	4500	1600	2171	1372	1196	2150	2171	1372	1196	6/6
	4700	1350	2236	1461	1261	2000	2236	1461	1261	6/6
	4800	1250	2258	1484	1283	1950	2258	1484	1283	6/6
	5000	1100	2358	1584	1383	1650	2358	1584	1383	3/6
	5400	900	2483	1708	1508	1500	2483	1708	1508	3/6
	5500	\	\	\	\	\	\	\	\	\
	6000	600	2708	1934	1733	1000	2708	1934	1733	3/6
6500	400	2923	2149	1948	600	2923	2149	1948	3/3	

h1=Max.Lift Height; c=Load Capacity; h2=Lowered Mast Height; h3=Free Lift Height(without backrest) ; h4=Overhead guard height; h5=Free Lift Height(with backrest); F/R=Tilting Angle F/R



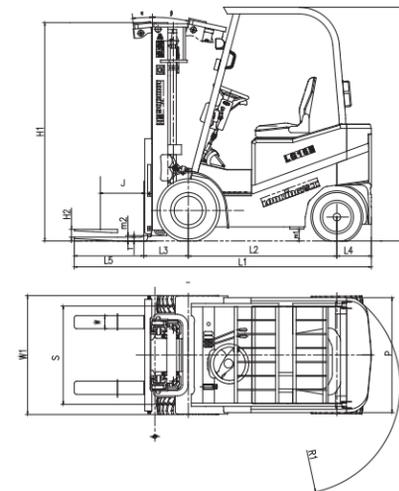
LG30B/LG35B overall specifications

LG30B/LG35B mast specifications

Identification	1.1	Manufacturer			LONKING	LONKING	
	1.2	Model			LG30B	LG35B	
	1.4	Power Type (electric,diesel, petrol LPG)			Electric(AC)	Electric(AC)	
	1.5	Type of operation:hand,pedestrian,standing,seated,order-picker			Seated	Seated	
	1.6	Load capacity/rated load		kg	3000	3500	
	1.7	Load center distance	J	mm	500	500	
	1.8	Front overhang	L3	mm	478	478	
	1.9	Rear overhang	L4	mm	360	400	
	2.0	Wheelbase	L2	mm	1700	1700	
Weights	2.1	Dead weight		kg	4920	5440	
	2.2	Axle loading,loaded front/rear		kg	7132/827	8100/840	
	2.3	Axle loading,unloaded front/rear		kg	2292/2628	2360/3080	
Wheels,Chassis	3.1	Tires:pneumatic,solid rubber			pneumatic	pneumatic	
	3.2	Tires size,front			28×9-15-14PR	28×9-15-14PR	
	3.3	Tires size,rear			18×7-8-14PR	18×7-8-14PR	
	3.4	Wheels,number front / rear(X=driven wheels)			X=2/2	X=2/2	
	3.5	Track width,front	S	mm	1000	1000	
	3.6	Track width,rear	P	mm	980	980	
Basic Dimensions	4.11	Mast/fork carriage tilt forward backward	α/β	degrees	6/12	6/12	
	4.12	Lowered mast height	h2	mm	2077	2077	
	4.13	Free lift height	h3	mm	165	165	
	4.14	STD Max lift height	h1	mm	3000	3000	
	4.15	Overhead guard height	h4	mm	2175	2175	
	4.16	Distance from seat to overhead guard	SIP	mm	1028	1028	
	4.17	Overall length	L1	mm	3608	3648	
	4.18	Length to face of forks	L6	mm	2538	2578	
	4.19	Overall width	W1	mm	1225	1225	
	4.2	Fork dimensions(hook type)	L5×W×T	mm	1070×125×45	1070×125×45	
	4.21	Fork carriage ISO 2328, class / type A,B			2/A	2/A	
	4.22	Fork-carriage width		mm	1100	1100	
	4.23	Ground clearance, under mast	m2	mm	132	132	
	4.24	Ground clearance,centre of wheelbase	m1	mm	130	130	
	4.25	Aisle width for pallets 1,000x1,200 crossways (LxW)	AST	mm	4048	4105	
	4.26	Aisle width for pallets 800x1,200 lengthways (WxL)	AST	mm	4248	4305	
	4.27	Turning radius	R1	mm	2370	2410	
	Performance Data	5.1	Max.traveling speed, unloaded		km/h	15	15
		5.2	Max.lifting speed, loaded/ unloaded		mm/s	240/350	220/300
		5.3	Lowering speed, loaded/unloaded		mm/s	<600	<600
		5.7	Max.gradient(Loaded/Unloaded)			15/15	12/15
		5.9	Service brake			Foot	Foot
		5.10	Parking brake			Hand	Hand
	Electric	6.1	Controller			ZAPI/CURTIS	ZAPI/CURTIS
		6.2	Lift motor(AC)		kW	12	12
		6.3	Travel motor(AC)		kW	12	12
	Other Details	7.1	Operating pressure		Mpa	17.5	17.5
7.2		Battery		V/Ah	80/500	80/500	

Item	lift height	LG30B				LG35B				F/R
	h1(mm)	c(kg)	h2(mm)	h3(mm)	h5(mm)	c(kg)	h2(mm)	h3(mm)	h5(mm)	(°)
2 Stage Standard Mast	2000	3000	1575	165	165	3500	1530	165	165	6/12
	2500	3000	1825	165	165	3500	1780	165	165	6/12
	3000	3000	2075	165	165	3500	2030	165	165	6/12
	3300	3000	2225	165	165	3500	2180	165	165	6/12
	3500	3000	2325	165	165	3500	2280	165	165	6/12
	3700	3000	2425	165	165	3500	2380	165	165	6/12
	3750	3000	2450	165	165	3500	2450	165	165	6/12
	4000	3000	2625	165	165	3500	2625	165	165	6/6
	4250	2850*3000	2750	165	165	3200*3500	2750	165	165	6/6
	4500	2600*2800	2875	165	165	2900*3100	2875	165	165	6/6
	5000	2100*2400	3125	165	165	2400*2750	3125	165	165	6/6
	5500	1700*2200	3425	165	165	1800*2400	3425	165	165	3/6
6000	1300*2000	3675	165	165	1400*2200	3675	165	165	3/6	
2 Stage Free Mast	2000	3000	1575	920	340	3500	1575	920	340	6/12
	2500	3000	1825	1170	590	3500	1825	1170	590	6/12
	3000	3000	2075	1420	840	3500	2075	1420	840	6/12
	3300	3000	2225	1570	990	3500	2225	1570	990	6/12
	3500	3000	2325	1670	1090	3500	2325	1670	1090	6/12
	3750	3000	2450	1795	1215	3500	2450	1795	1215	6/12
	4000	3000	2625	1970	1390	3300	2625	1970	1390	6/6
3 Stage Free Mast	4500	2600*2800	2875	2220	1640	2900*3100	2875	2220	1640	6/6
	4000	2900*2900	1987	1275	750	3300*3300	1987	1275	750	6/6
	4350	2800*2900	2112	1400	875	3100*3300	2112	1400	875	6/6
	4500	2500*2800	2175	1465	940	2800*3000	2175	1465	940	6/6
	4700	2350*2550	2240	1530	1005	2600*2800	2240	1530	1005	6/6
	4800	2250*2450	2262	1550	1025	2500*2750	2262	1550	1025	6/6
	5000	2100*2300	2362	1650	1125	2300*2600	2362	1650	1125	6/6
	5400	1650*2100	2487	1775	1250	1800*2300	2487	1775	1250	3/6
	5500	1500*2000	2527	1815	1290	1700*2200	2527	1815	1290	3/6
	6000	1200*1800	2712	2000	1475	1300*2000	2712	2000	1475	3/6
	6500	900*1500	2927	2215	1690	1000*1600	2927	2215	1690	3/3

h1=Max.Lift Height; c=Load Capacity; h2=Lowered Mast Height; h3=Free Lift Height(without backrest) ; h4=Overhead guard height; h5=Free Lift Height(with backrest); F/R=Tilting Angle F/R; and the digital after * in this table shows the load capacity of machine with double front tires optional.



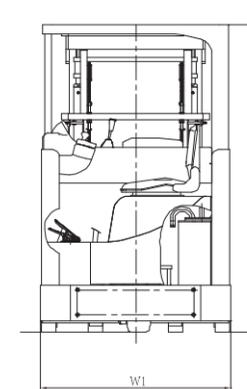
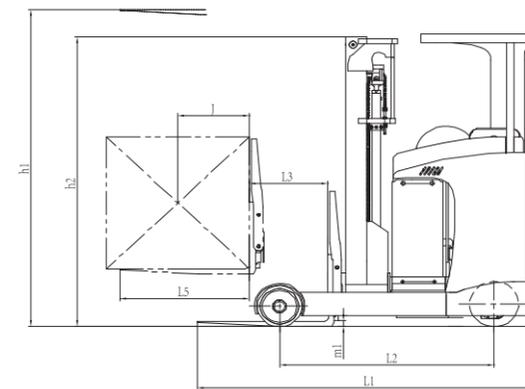
LG20DR overall specifications

LG20DR mast specifications

Identification	1.1	Manufacture			LONKING
	1.2	Model			LG20DR
	1.4	Power Type (electric,diesel, petrol LPG)			Electric(AC)
	1.5	Type of operation:hand,pedestrian,standing,seated,order-picker			Seated
	1.6	Load capacity/rated load		kg	2000
	1.7	Load center distance	J	mm	500
	1.8	Reach distance	L3	mm	508
	2.0	Wheelbase	L2	mm	1500
Weights	2.1	Dead weight		kg	3200
	2.2	Tire loading,loaded front/rear		kg	4400/800
	2.3	Tire loading,unloaded front/rear		kg	1120/2028
Wheels, Chassis	3.1	Tires:pneumatic,solid rubber,polyurethane			polyurethane
	3.2	Tires size,front			Φ310×100
	3.3	Tires size,rear			Φ343×130
	3.4	Wheels,number front / rear(X=driven wheels)			2/X=1
	3.5	Track width,front	S	mm	1156
Basic Dimensions	4.11	Fork tilt up/down	α/β	degrees	3/5
	4.12	Lowered mast height	h2	mm	2201
	4.14	STD Max lift height	h1	mm	3000
	4.15	Overhead guard height	h4	mm	2220
	4.17	Overall length	L1	mm	2355
	4.19	Overall width	W1	mm	1270
	4.2	Fork dimensions(hook type)	L5×W×T	mm	920×120×40
	4.21	Fork carriage ISO 2328, class / type A,B			2/A
	4.23	Ground clearance, under mast	m1	mm	72
	4.27	Turning radius	R1	mm	1810
Performance Data	5.1	Max.traveling speed, unloaded		km/h	10
	5.2	Max.lifting speed, loaded/ unloaded		mm/s	290/420
	5.3	Lowering speed, loaded/unloaded		mm/s	< 600
	5.7	Max.gradient(Loaded/Unloaded)			10/12
Electric	6.1	Controller			ZAPI
	6.2	Lift motor(AC)		kW	11
	6.3	Travel motor(AC)		kW	6
Other Details	7.1	Operating pressure		Mpa	17.5
	7.2	Battery		V/Ah	48/560(optional 600)
	7.3	Steer type			Electric

Item	LG20DR				Fork Tiling Angle down/up(°)
	h1 Max.Lift Height(mm)	c Load Capacity(kg)	h2 Lowered Mast Height(mm)	h3 Free Lift Height(mm)	
2 Stage Standard Mast	3000	2000	2110	190	3/5
	3300	2000	2260	190	3/5
	3500	2000	2360	190	3/5
	3700	2000	2460	190	3/5
	4000	2000	2660	190	3/5
	4300	1850	2810	190	3/5
	4500	1700	2910	190	3/5
3 Stage Free Mast	4000	2000	1890	1300	3/5
	4500	1650	2040	1500	3/5
	4700	1600	2110	1560	3/5
	4800	1600	2140	1600	3/5
	5000	1500	2210	1660	3/5
	5500	1350	2390	1800	3/5
	6000	1250	2590	2000	3/5
	6500	1100	2740	2200	3/5
	7000	900	2940	2300	3/5
	7500	800	3140	2500	3/5
8000	650	3305	2670	3/5	
8500	550	3470	2840	3/5	

h1=Max.Lift Height; c=Load Capacity; h2=Lowered Mast Height; h3=Free Lift Height(without backrest) ; h4=Overhead guard height



LG20ET overall specifications

Identification				
1.1	Manufacture			LONKING
1.2	Model			LG20ET
1.4	Power Type (electric,diesel, petrol LPG)			Electric
1.5	Type of operation:hand,pedestrian,standing,seated,order-picker			Standing
1.6	Load capacity/rated load		kg	2000
1.7	Load center distance	J	mm	600
Weights				
2.1	Dead weight		kg	689
Wheels,Chassis				
3.2	Tires size,front			Φ230×85
3.3	Tires size,rear			Φ80×70
3.5	Track width,front	S	mm	520
3.7	Track width,rear	S	mm	370
Basic Dimensions				
4.14	STD Max lift height	h1	mm	205
4.15	Fork lowered height	h4	mm	85
4.17	Overall length(Board extended)	L1	mm	2283
4.19	Overall width	W1	mm	700
4.2	Overall height		mm	1455
4.2	Fork surface length		mm	1150
4.27	Turning radius	R1	mm	1650
Performance Data				
5.1	Max.traveling speed, unloaded		km/h	6
5.2	Max.lifting speed, loaded/ unloaded		mm/s	42/53
5.3	Lowering speed, loaded/unloaded		mm/s	48/42
5.7	Max.gradient(Loaded/Unloaded)			8/16
Controller&Electric-motor				
6.1	Controller			CURTIS
6.2	Lift motor(AC)		kW	2
6.3	Travel motor(AC)		kW	1.1
Other Details				
7.1	Operating pressure		Mpa	10
7.2	Battery		V/Ah	24/240

