



**Series H**

**C 300 H**

**C 300 H x4** 

**C 350 H**

**C 350 H x4** 

**Series HI**

**C 300 HI**

**C 300 HI x4** 

**C 350 HI**

**C 350 HI x4** 



**FullGrip® System exclusivo AUSA:**  
Tracción integral por discos múltiples conectable electro-hidráulicamente desde el mando joystick.

**FullGrip® System:**  
On demand 4WD connectable by means multiple discs with electro-hydraulic engagement from the joystick.

**FullGrip® System:**  
4 RM sur demande au moyen disques multiples et avec connexion electro-hydraulique dans joystick.

**FullGrip® System:**  
Elektrohydraulisch, zuschaltbarer Allradantrieb – am Joystick zu betätigen.



[www.ausa.com](http://www.ausa.com)

**AUSA Center, S.L.U.** ● Ctra. de Vic, Km 2.8 - P.O.B. 194, 08243 Manresa - BARCELONA (ESPAÑA) Tel.: +34 93 874 73 11 E-mail: [ausa@ausa.com](mailto:ausa@ausa.com)



ISO 9001 ISO 14001



**AUSA Madrid** ● Pol. Ind. Coslada-Marconi 15-17, 28823 Coslada - MADRID (ESPAÑA) Tel.: +34 91 669 00 06 E-mail: [ausa.madrid@ausa.com](mailto:ausa.madrid@ausa.com)

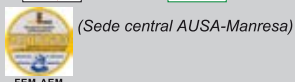
**AUSA France** ● Z. I. Saint Charles-Rue de Zürich, 66000 PERPIGNAN (FRANCE) Tel.: +33 (0) 4 68 54 38 97 E-mail: [ausa.france@ausa.com](mailto:ausa.france@ausa.com)

**AUSA Verkauf & Service Deutschland** ● Heinrich - Welken Str. 5, 59069 HAMM - RHYNERN (GERMANY) Tel.: +49 (0) 2385-9359362 E-mail: [info@ausa.de](mailto:info@ausa.de)

**BEIJING Rep. Office** ● Address Room 527, HengXiang Building, Tuanjiehu Nanli, Chaoyang District. - Beijing 100026 CHINA  
Tel: 86-10-8597 1983 - Fax: 86-10-8597 1993 - E-mail: [ausa.china@ausa.com](mailto:ausa.china@ausa.com)

**AUSA UK** ● Sales: 07970639988 E-mail: [ausa.uk@ausa.com](mailto:ausa.uk@ausa.com)

**AUSA Northamerica Corp.** ● E-mail: [ausa.corp@ausa.com](mailto:ausa.corp@ausa.com)

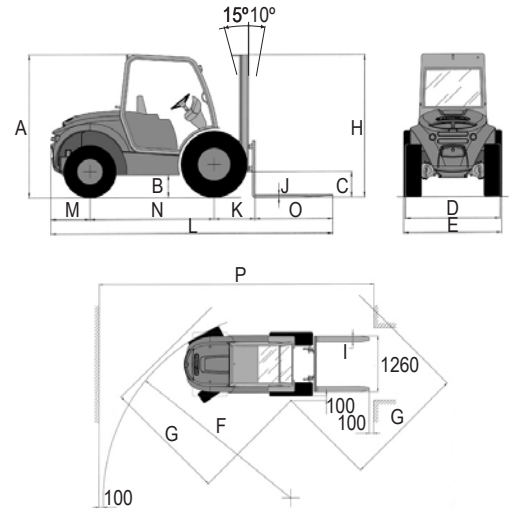


**C 300 H\_3000Kg**  
**C 350 H\_3500Kg**



www.ausa.com

DIMENSIONS (mm)	C 300 H	C 300 HI	C 300 Hx4	C 350 H	C 350 HI	C 350 H x4
A	2200	2200	2200	2240	2240	2240
B	250	250	220	250	250	220
C	325	325	325	380	380	380
D	1460	1460	1460	1460	1460	1460
(narrow axle) E	1540	-	1540	1770	-	1770
(wide axle) E	1870	-	1870	1910	-	1910
F	3500	3500	4700	3500	3500	4700
G	2850	2850	3005	2850	2850	3005
I	120	120	120	120	120	120
J	50	50	50	50	50	50
K	750	750	750	750	750	750
L	4500	4500	4500	4500	4500	4500
M	600	600	600	600	600	600
N	1950	1950	1950	1950	1950	1950
O	1200	1200	1200	1200	1200	1200
P	5600	5600	6805	5600	5600	6805



Type of mast	Maximum lifting height (mm)	Front axle	Machine height with mast retracted (mm)				Machine height with mast extended (mm)		Load (Kg) at max. height						
			Free lift (mm)	C300H / HI	C350H / HI	C300Hx4	C350Hx4	C300H / HI / Hx4	C350H / HI / Hx4	(A) C300H / Hx4 (narrow axle)	(B) C300HI (narrow axle)	(A) C300H / Hx4 (wide axle)	(B) C350H / Hx4 (narrow axle)	(A) C350HI (narrow axle)	(B) C350H / Hx4 (wide axle)
Dúplex (Std.)	3300	Norm. /Ancho (op.)	120	2600	2670	2600	2670	4500	4500	3000	3000	3000	3500	3500	3500
Dúplex	4000	Norm. /Ancho (op.)	120	2950	2990	2950	2990	5200	5200	2250	2550	2250	3000	3000	3500
Triplex (elev. libre)	3700	Norm. /Ancho (op.)	1200	2090	2130	2090	2130	4900	4900	2400	2700	2400	3200	3200	3500
Triplex (elev. libre)	5400	Ancho	1680	2660	2700	2660	2700	6600	6600	-	1300	1500	-	1500	1600
Triplex (elev. libre)	6780	Ancho	2280	-	3220	-	3220	-	7820	-	1000	-	-	1200	600

TECHNICAL SPECIFICATIONS		C 300 H / C 300 HI	C 300 Hx4 / C 300 HIx4	C 350 H / C 350 HI	C 350 Hx4 / C 350 HIx4
Load capacity (Kg) @ centre of gravity		3000 a 500mm / 2800 a 600mm		3000 a 500mm / 3250 a 600mm	
Lifting height (Standard duplex mast) (mm)		3300			
Engine	Diesel / Turbodiesel (C300H)	KUBOTA V 3300			
	Power acc./SAE J 1995 (KW/HP)	36.5 / 49.6 (2600 rpm)			
	Nº of cylinders	4			
	Displacement (cc)	1999		3318	
	Cooling system	Agua			
Traction		2	4	2	4
Transmission		Hydrostatic with variable flow pump and automatic regulation. Electric gear inverter. Inching pedal.			
Unladen weight (Kg) (with full tanks)		4700	4900	5000	5200
Gradient negotiable (with full load)		35%		32%	
Speed (Maximum) (Km/h)		20			
Engine starting system		Electric			
Tyres	Front	12.5 / 80-18		16.5 / 70-20	
	Rear	27x10-12 (C300H/Hi/Hlx4)		27x10-12 (C350H/Hi/Hlx4)	
Steering		Hydraulic. Working pressure 140 bar.			
External turning circle (mm)		3500	4280	3500	4280
Tank capacity (l)	Fuel	80			
	Hydraulic fluid	85			
Service brake		Oil-immersed, multidisc, hydraulically driven			
Parking brake		Oil-immersed, multidisc, hydraulically driven			
Hydraulic circuit		18-8 cc. double gear pump. Working pressure 170 bar.		Bom18-8 cc. double gear pump. Working pressure 190 bar.	
Operating pressures for accessories (bar)		170		190	
Forkcarriage		FEM 3 - Ancho: 1200mm (opcional:1660mm)			
Satisfy rule stability test	(A)	For rough terrain use EN1726 - 1 - APH (Models H)			
	(B)	For semi-industrial use EN 1726 - 1 ISO 1074 (Models HI)			
STANDARD EQUIPMENT		Open and tilting cabin Ergonomic and comfort seat with height, weight and distance adjustable Seat belt Side-shift Joystick with integrated functions Rotating beacon Audible reverse warning 4WD "FULLGRIP® SYSTEM" with electro-hidraulic engagement/disengagement with push button from joystick Rear-view mirrors			
OPTIONAL EQUIPMENT		Semi - closed cabin Closed cabin with heater Front and rear lights 4th. hydraulic valve for accessories Catalytic converter Spark arrestor 600, 800 and 1000 litre hydraulic buckets Load guard Radio/stereo CD Limited slip differential in front axle Electronic anti-theft system Integrated air-conditioning Enhanced heater for Nordic countries			