

GROS



The core parts of K2 series 4-5t internal combustion forklift truck have been fully verified by the market and they are mature and reliable. The truck integrates R & D design concepts of "safety", "reliability" and "high efficiency" and "comfort" and combines technical exploration and design innovation in the field of internal combustion forklift truck in nearly half a century and the latest technology and process development which highlights the traditional attributes of durability and high cost performance .

#### Complete hard core configuration

A number of powerful and low emission engines are optional to meet your requirements.  
Standard configuration of HELI homemade drive axle has high casting accuracy and strong strength.  
Transmission box configuration is rich which has been fully verified by the market and they are mature and reliable.  
The tyre of steering axle is equipped with 14 plying rating which has the characteristics of high bearing capacity, wear resistance and long service life.

#### More reliable

The brake system has been upgraded which effectively improve the braking reliability and comfort.  
The hydrodynamic truck adopts hydraulic assisted braking system and the braking performance is more stable and reliable.  
Enlarged high positioned air inlet grid makes air intaking smoother and the using of engine power more sufficiently.  
Large screen LCD instrument overall monitor truck state.  
High strength alloy steel is used for mast channel steel, the tensile strength and safety factor of chain are significantly improved.

#### More efficient

Enlarged diameter of hydraulic system pipelines and optimized pipeline arrangement extends the service life of hydraulic elements. The application of double pump confluence hydraulic system is energy saving and high efficient.  
Standard configuration of LED lights is energy saving and environment friendly and has long service life and higher reliability.  
Standard configuration of load sensor gives priority to steering and reduces energy loss.

#### More excellent

Optimized cooling channel and standard configuration of enlarged aluminum plate fin radiator improve cooling performance greatly. Standard configuration of air cleaner alarm reminds customer to maintain the air cleaner in time.  
Optimized bi-wiring screw lock mechanism makes locking adjusting more convenient.  
The hydraulic truck is upgraded with a new intelligent shift system to prevent the starting from second gear.

#### More comfortable

Optimized brake pedal and accelerator pedal improve driving comfort.  
Small diameter steering wheel reduces the operation intensity and improves the driver's operation convenience.  
Integrated handle switch (hydrodynamic truck) and standard lifting cylinder lower buffer offer new driving experience.  
Enlarged grained leather antiskid handle, half enclosed seat, instrument backlight design, anti-skid metal pedal and hood lock make the operation more comfortable.

\* Details of specifications and equipment are based on information available at the time of printing and may change without notice.

AUTHORIZED DEALER

ANHUI HELI CO., LTD.

4-5t

Internal Combustion  
Counterbalanced Forklift Truck



GROS



17% improved of Mast view (two-stage full free lift mast)



80% energy saved of LED lights



25% reduced of steering wheel's steering force



30% optimized of brake force

**More economical**

economical price  
high end configuration

**Better performance**

overall improved  
working efficiency

**More reliable**

Optimized key parts  
improves truck reliability.

**More comfortable**

Optimized ergonomics  
offers new driving experience.



27% increased of brake drum's hardness



Vibration isolation rate in idling: 68%



66% enlarged of brake pedal dimension (hydrodynamic truck)



5% energy saved of hydraulic system



Wide view mast

Optimized mast structure effectively improves driver's view.



Lifting cylinder buffering

Standard configuration of buffering on the lifting cylinder offers comfort operation.



Brake system

Upgraded brake drum and brake unit improves brake reliability and operation comfort.



Wide brake pedal

Optimized pedal layout improves operation comfort (hydrodynamic truck).



Tyre with plying rating 14

Standard configuration of Zhengxin tyre with plying rating 14 improves tyre service life.



Double pump confluence

The application of double pump confluence hydraulic system provides oil supply as required and reduces energy consumption of the whole truck.



Enlarged diameter of pipelines

Enlarged diameter of hydraulic system pipelines reduces pressure loss and prolongs hydraulic system service life.



Cooling system

Enlarged aluminum plate fin radiator makes three kinds of temperature are controlled in a good range and effectively improves the reliability of the system.



Flexible connected hydraulic transmission

After nearly 30 years of market validation, the flexible connected hydraulic transmission is mature and reliable.



Latch opening mechanism

The opening mechanism of engine hood is simple and reliable. Key lock is optional.



Metal pedal

Metal pedal is reliable and durable.



Clip type installation

Clip type installation of floor board makes assembly and disassembly easy.



Bi-wiring screw lock mechanism

Optimized bi-wiring screw lock mechanism makes locking adjusting more convenient.



LED lights

The standard configuration of LED lights have the features of environment friendly.



Air inlet grid

Enlarged high positioned air inlet grid makes air intake smoother and the using of engine power more sufficiently.



Front handle

Enlarged grained leather antiskid handle improves the comfort of access and egress.



Handle assembly

Standard configuration of combined handle integrating electro hydraulic reversing handle, steering and lights facilitates operation (hydrodynamic truck).



Large screen LCD instrument

Large screen LCD instrument overallly monitor truck state. The instrument displays real time engine and truck fault information and humanized reminder.



Air cleaner alarm

Standard configuration of air cleaner alarm reminds customer to maintain the air cleaner in time so as to protect engine and improve engine reliability.

# 4-5t

K2 series Internal Combustion Counterbalanced Forklift Truck



## FICS CHL Intelligent Fleet Management System (optional)



FICS CHL intelligent fleet management system is an information system using cloud computing and Internet of things technology. It can help fleet managers to know the operation of the fleet and the performance of drivers in real time. The system software platform integrates the information and data collected by intelligent terminals to provide optimization analysis for operation investment, equipment maintenance and operation efficiency. HELI intelligent fleet management system can customize the solution of fleet optimization for you, and make your team the performance champion through the continuous optimization management.

### Standard

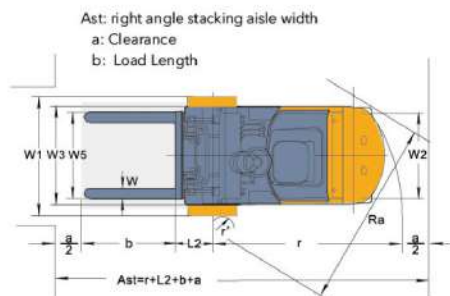
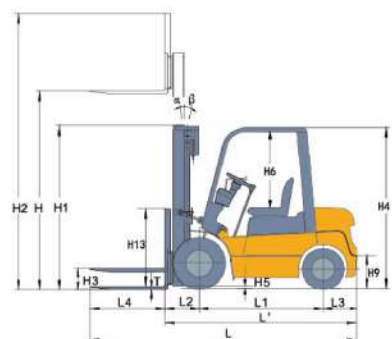
- **Asset management:** multi organization decentralization management, truck basic information information management.
- **Truck positioning:** GPS / base station positioning, truck trajectory playback.
- **State monitoring:** truck on and off, voltage, electricity, working time and other state information monitoring.
- **Fault reminder:** fault code, truck fault alarm.
- **Maintenance management:** automatically remind maintenance information and maintenance scheduling record management.
- **Intelligent report:** operation record, working hours.
- **App Management:** control the running state of the fleet anytime and anywhere.

### Optional

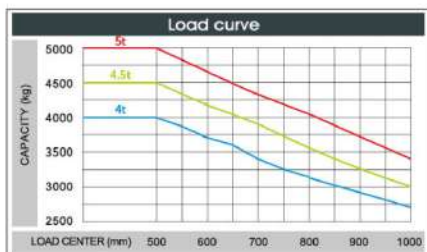
- **Personnel management:** authority control, trucks can only be started after passing identity authentication;
- **Safety management:** detect and record overload, collision, overspeed and other safety incidents, to improve the driving compliance.

Standard	Optional	Optional attachments
Wide view mast	Cab	High exhausting
Standard fork	Heater	Protective bush for steering cylinder
Standard backrest	Air conditioner	Protective bush for tilting cylinder
Standard overhead guard	Overhead guard for operation in container	Custom madecolor
Rain proof hood of overhead guard	Windshield glass	Protective net for counter weight (steel protective net)
Lcd combined instrument	Iron sheet ceiling	Fuel tank lock
Pneumatic tyre	Dual air cleaner	Integrated horn button
Traction pin	Solid tyre	Slings
Attached tools	Dual tyre	Suspension seat
Led signals	Fan	Custom madecolor
Standard sea	Warning light	Fics
Control valve	Rear working light	Side shifter
Backward buzzer	Reversing image, reversing radar	Paper roll clamp
Hour meter	Overspeed alarm	Rotating fork
Adjustable steering column	Fire extinguisher	Cargo boom
Rearview mirror	Purification muffler	Drum clamp
Combined instrument	Outfire muffler	Rotating clamp
Torque converter oil level gauge	Widen backrest	Fork extension
		Load stabilizer
		Tilting fork
		Tilting bucket
		Sanitation fork
		Dual jib
		Sideshifting tilting fork
		Boom
		Hook

Manufacturer and Technical Data															
Characteristics															
1.01	Manufacturer														
1.02	Model			CPC40	CPCD40	CP(Q)YD40	CPC45	CPCD45	CP(Q)YD45	CPC50	CPCD50	CP(Q)YD50			
1.03	Power mode			Diesel		LPG		Diesel		LPG		Diesel		LPG	
1.04	Rated capacity	Q	kg	4000		4500		5000		5000					
1.05	Load center distance	c	mm	500		500		500		500		500		500	
1.06	Driving mode							Seated							
Dimensions															
2.01	Max height,extended (With backrest)	H2	mm			4250									
2.02	Free lifting height	H	mm			3000									
2.03	Height (mast lowered)	H1	mm			2275									
2.04	Free lifting height	H3	mm			150									
2.05	Backrest height (calculated from the surface of the fork)	H13	mm			1250									
2.06	Distance from the surface of the seat to the overhead guard	H6	mm			1250									
2.07	Height of overhead guard	H4	mm			2350									
2.08	Overall length (with/without fork)	L/L'	mm			4460/3240									
2.09	Front overhang	L2	mm			560									
2.10	Rear overhang	L3	mm			580									
2.11	Wheelbase	L1	mm			2100									
2.12	Towing coupling height	H9	mm			300									
2.13	Ground clearance (laden,between mast)	H5	mm			175									
2.14	Overall width	W1	mm			1480									
2.15	Distance across fork-arms, Max./Min.	W5	mm			1340/300									
2.16	Tread, front/rear	W3/W2	mm			1180/1190									
2.17	Min. outside turning radius	r	mm			2930									
2.18	Min. internal turning radius	r'	mm			215									
2.19	Min.right angle stacking aisle width	Ra	mm			2900									
2.20	Right angle stacking aisle width for pallet 1000 x1200mm	α/β	deg			4690									
2.21	Right angle stacking aisle width for pallet 800 x1200mm	L4xWxT	mm			4890									
2.22	Mast tilt angle (forward/backward)	Ast	mm			6/12									
2.23	Fork size	Ast	mm			1070x150x50									
Weight															
3.01	Total weight	kg	6290	6460	6490	6660	6750	6920							
3.02	Axle load (laden,front/rear)	kg	8675/1615	8815/1645	9600/1390	9680/1480	10430/1320	10500/1420							
3.03	Axle load (unladen,front/rear)	kg	2772/3518	2776/3694	2830/3660	2865/3795	2860/3890	2965/3955							
Wheels															
4.01	Wheels,number front/rear (x=driven wheels)	2X/2(Double-tyre 4X/2)													
4.02	Tyre type	Pneumatic tyre													
4.03	Tyre size,front	8.25-15-14PR				300-15-18PR									
4.04	Tyre size,rear	7.00-12-14PR				7.00-12-14PR									
4.05	Double-tyre size (front/rear)	8.25-15-14PR/7.00-12-14PR													
Other data															
5.01	Service brake	Vacuum assisted braking-pedal type (mechanical truck)/hydraulic assisted braking-pedal type(hydrodynamic truck)													
5.02	Parking brake	Mechanical-hand lever													
5.03	Fuel tank capacity	90													



Note: The vertical axis stands for load capacity and the horizontal axis stands for load center which is calculated from the front of the fork. The base point of the standard load refers to the center position of the cube with 1000mm length of side. When mast is tilted forward, nonstandard fork usage or load with over wide goods, load capacity will be reduced. Different load capacity in different load center can be known in time through load chart.



Technical parameters						
Truck performance parameters						
Model	CPC40/45/50	CPC40/45/50	CP40/45/50	CP40/45/50	CP(Q)YD40/45/50	
Configuration number	QC5K2/QC7K2/XC5K2		QC4K2/QC8K2/XC6K2/WX8K2	QC5K2/QC7K2/XC7K2/WX7K2	M4K2	KU2K2C
Transmission gears (front/rear)	shifting with single lever (forward 3 backward 2)		shifting with dual lever (forward 2 backward 2)		Electrohydraulic reversing (forward 2 backward 1)	
Travel speed (laden/unladen)	km/h	21/21.6	18/18.5	24/25	25/26	25/26
Lift speed (laden/unladen)	mm/s	500/530		530/560	440/500	530/580
Lowering speed (laden/unladen)	mm/s	400/430				
Max.drawbar pull (laden/unladen)	kN	31/20	30/20	39/22	28/22	28/22
Max.gradeability (laden/unladen)	%	24/20	22/20	26/20	≥20	≥20

Model and main parameters of optional engines								
Engine model	Engine instruction	Truck model	battery voltage/capacity (V/Ah)	rated power/speed (Kw/rpm)	rated torque/speed (Nm/rpm)	engine displacement (L)	engine cylinder number-cylinder borexstroke	emission standard
Quanchai 4C6-85U32	498 electronic unit pump +supercharge	CPC40-50-QC5K2 CPC40-50-QC4K2 CPCD40-50-QC5K2	24/80	62.5/2200	300/1600-1800	3.47	4-98×115	China III
Xinchang 4D35ZG31	498 electronic unit pump +supercharge	CPC40-50-XC5K2 CPC40-50-XC6K2 CPCD40-50-XC7K2	24/80	60/2200	300/1600-1800	3.47	4-98×115	China III
Xichai 4DX23-82GG3U	4102 electronic unit pump +supercharge and intercooler	CPC40-50-WX8K2 CPCD40-50-WX7K2	24/80	60/2200	320/1400-1700	3.85	4-102x118	China III
Quanchai 4C6-88C31	498 electric controlled high pressure common rail system	CPC40-50-QC7K2 CPC40-50-QC8K2 CPCD40-50-QC7K2	12/80	65/2200	350/1800	3.47	4-98×115	China III
Mitsubishi S6S	mechanical pump +naturally aspirated	CP40-50-M4K2	24/80	52/2300	248/1700	4.996	6-94x120	China III/ Euro III A
Kubota WG3800 (Non-certificated type)	LPG/gasoline dual fuel	CPQYD40-50-KU2K2C	12/80	60.7/2400	273/1200	273/1200	4-100x120	
Kubota WG3800 (Non-certificated type)	LPG single fuel	CPYD40-50-KU2K2C	12/80	63.2/2400	282.4/1200	282.4/1200	4-100x120	

4-5t Wide View Standard Mast									
Mast model	Max.lifting height (mm)	Load capacity (load center 500mm)			service weight			mast overall height (fork to the ground)	mast tilting angle α/β
		4t	4.5t	5t	4t	4.5t	5t		
M260	2600	4000	4500	5000	6244(6414)	6444(6614)	6704(6874)	2075	6°/12°
M270	2700	4000	4500	5000	6256(6426)	6456(6626)	6716(6886)	2125	6°/12°
M300	3000	4000	4500	5000	6290(6460)	6490(6660)	6750(6920)	2275	6°/12°
M330	3300	4000	4500	5000	6324(6494)	6524(6694)	6784(6954)	2425	6°/12°
M350	3500	4000	4500	5000	6347(6517)	6547(6717)	6807(6977)	2525	6°/12°
M370	3700	4000	4500	5000	6370(6540)	6570(6740)	6830(7000)	2625	6°/12°
M400	4000	4000	4500	5000	6459(6629)	6659(6829)	6919(7089)	2825	6°/6°
M425	4250	3800 *4000	4300 *4500	4700 *5000	6488(6658)	6688(6858)	6948(7118)	2950	6°/6°
M450	4500	3700 *4000	4200 *4500	4500 *5000	6517(6687)	6717(6887)	6977(7147)	3075	6°/6°
M475	4750	3500 *3700	4000 *4200	4250 *4600	6546(6716)	6746(6916)	7006(7176)	3200	6°/6°
M500	5000	3200 *3400	3600 *4000	4000 *4200	6573(6743)	6773(6943)	7033(7203)	3325	6°/6°
M550	5500	2900 *3200	3200 *3600	3600 *3800	6679(6849)	6879(7049)	7139(7309)	3575	3°/6°
M600	6000	2600 *2900	3000 *3200	3300 *3600	6735(6905)	6935(7105)	7195(7365)	3825	3°/6°

Note: \* stands for the rated capacity when the front tyre is double-tyre. In the weight column, the weight without brackets is the weight of mechanical truck (CPC type), the weight with brackets is that of hydrodynamic truck (CPD type, CP (Q) YD type).

4-5t Full Free 2-Stage Mast										
Mast model	Max.lifting height (mm)	Load capacity (load center 500mm)			service weight			mast overall height (fork to the ground)	free lifting height (with backrest)	mast tilting angle α/β
		4t	4.5t	5t	4t	4.5t	5t			
ZM261	2610	4000	4500	5000	6340(6510)	6540(6710)	6800(6970)	2110	900	6°/12°
ZM271	2710	4000	4500	5000	6355(6525)	6555(6725)	6815(6985)	2160	950	6°/12°
ZM300	3000	4000	4500	5000	6397(6567)	6597(6767)	6857(7027)	2305	1095	6°/12°
ZM330	3300	4000	4500	5000	6441(6611)	6641(6811)	6901(7071)	2455	1245	6°/12°
ZM350	3500	4000	4500	5000	6470(6640)	6670(6840)	6930(7100)	2555	1345	6°/12°
ZM375	3750	4000	4500	5000	6506(6676)	6706(6876)	6966(7136)	2680	1470	6°/12°
ZM400	4000	4000	4500	5000	6563(6733)	6763(6933)	7023(7193)	2805	1595	6°/6°
ZM450	4500	3700 *4000	4200 *4500	4500 *5000	6635(6805)	6835(7005)	7095(7265)	3055	1845	6°/6°
ZM500	5000	3200 *3400	3600 *4000	4000 *4200	6708(6878)	6908(7078)	7168(7338)	3305	2095	6°/6°
ZM550	5500	2900 *3200	3200 *3600	3600 *3800	6824(6994)	7024(7194)	7284(7454)	3555	2345	3°/6°
ZM600	6000	2600 *2900	3000 *3200	3300 *3600	6873(7043)	7073(7243)	7333(7503)	3805	2595	3°/6°

Note: \* stands for the rated capacity when the front tyre is double-tyre. In the weight column, the weight without brackets is the weight of mechanical truck (CPC type), the weight with brackets is that of hydrodynamic truck (CPD type, CP (Q) YD type).

4-5t Full Free 3-Stage Mast										
Mast model	Max.lifting height (mm)	Load capacity (load center 500mm)			service weight			mast overall height (fork to the ground)	free lifting height (with backrest)	mast tilting angle α/β
		4t	4.5t	5t	4t	4.5t	5t			
ZSM360	3600	4000	4500	5000	6541(6711)	6741(6911)	7001(7171)	2134	924	6°/6°
ZSM392	3920	3840 *4000	4350 *4500	4800 *5000	6581(6751)	6781(6951)	7041(7211)	2234	1024	6°/6°
ZSM435	4350	3500 *3800	4100 *4300	4400 *4800	6638(6808)	6838(7008)	7098(7268)	2379	1169	6°/6°
ZSM450	4500	3350 *3500	4000 *4200	4200 *4700	6658(6828)	6858(7028)	7118(7288)	2430	1220	6°/6°
ZSM470	4700	3250 *3400	3800 *4000	4050 *4300	6684(6854)	6884(7054)	7144(7314)	2496	1286	6°/6°
ZSM480	4800	3150 *3300	3700 *3900	3900 *4100	6697(6867)	6897(7067)	7157(7327)	2529	1319	6°/6°
ZSM500	5000	3050 *3200	3400 *3800	3800 *4000	6737(6907)	6937(7107)	7197(7367)	2629	1419	6°/6°
ZSM540	5400	2750 *3000	3000 *3400	3500 *3700	6814(6984)	7014(7184)	7274(7444)	2754	1544	6°/6°
ZSM600	6000	2400 *2500	2800 *3000	3100 *3400	6922(7092)	7122(7292)	7382(7552)	2994	1784	3°/6°

Note: \* stands for the rated capacity when the front tyre is double-tyre. In the weight column, the weight without brackets is the weight of mechanical truck (CPC type), the weight with brackets is that of hydrodynamic truck (CPD type, CP (Q) YD type).