

CHL



**5-7.5 Ton**  
BALANCE WEIGHT TYPE  
FORKLIFT

**Standard configuration**

Hour meter  
Horn  
Oil pressure alarm  
Control valve (two piece)  
Wholly hydraulic powered steering  
Rubber pad  
Backrest  
Rearview mirror  
Front combined lamp  
Transmission oil filter  
Engine flameout device  
Cable type parking brake  
Water temperature gauge  
Driver's tool  
Rear combined lamp  
Backward buzzer  
Tilt cylinder self lock valve  
Tilting adjustable steering column

Overhead guard  
Standard fork  
Neutral switch  
Hydraulic oil return circuit filter  
Flow regulator  
Oil lever gauge  
Charging indicator  
Wide view mast  
Air intaking device  
Durable tread tyre  
Lifting and tilting operation lever  
Traction pin  
Standard seat  
Hydraulic oil dipstick  
Overhead guard rain cover  
Torque converter oil dipstick  
Combined instrument

**Optional Devices and Accessories**

Driver's cab  
Rotating alarming light  
Upper air exhausting device  
Double air cleaner  
Lengthening fork extension  
Warm air blower  
Solid tyre  
Widen fork arm carrier  
Windshield  
Cleansing muffler  
Fire extinguisher muffler  
Fire extinguisher  
Rear working light  
Air conditioner (Certain type)  
Torque converter oil temperature gauge  
Tilting cylinder bush  
Steering cylinder bush  
Customer made color  
Optional attachments

Manufacturer: **ANHUI HELI CO., LTD.**  
NO.668 Fangxing Street, Economical Development Zone,  
Hefei, P.R. China  
TEL: 86-551-63639458  
FAX: 86-551-63639966  
WEBSITE: [HTTP://WWW.CHLFORKLIFT.COM](http://www.chlforklift.com)  
E-MAIL: [CHL@CHLFORKLIFT.COM](mailto:CHL@CHLFORKLIFT.COM)

**AUTHORIZED DEALER**

\* Details of specifications and equipment are based on information available at the time of printing and may change without notice.

© 2014 heli copyright

Catalog No.2014.04 HELI Print

CHL

**5-7.5 Ton**  
BALANCE WEIGHT TYPE  
FORKLIFT







BALANCE WEIGHT TYPE  
FORKLIFT

5-7.5 Ton

CHL

**Reliable forklift** Reliability is based on first-class manufacturing technology.

### New steering handwheel adjusting mechanism



With patented technology of new steering handwheel double thread adjusting mechanism improving operating comfort and adjusting reliability.

### Reliable lifting system



High quality mast ensuring operating safety; Wide view mast fitted as standard with good view

- ✓ World-first class quality U-steel from Germany
- ✓ Enlarged U-steel cross-section to achieve firm structure



### Reliable power system

The HELI transmission box specialized for the truck mode which is the most reliable transmission system in HELI with 20 years market proof effectively reduce trouble rate. Meanwhile, a number of power-assisted devices are assembled to ensure the system reliability.

- ✓ Transmission box working continually without trouble for 800 hours on average
- ✓ Lost foam casting box
- ✓ Upper air intaking system
- ✓ Air cleaner pressure alarm device
- ✓ Engine automatic preheating system
- ✓ Whirlwind air cleaner



### Reliable special instrument



- ✓ Reasonable structure featuring integration of instrument and steering column to achieve good view.
- ✓ Easy control of working condition through kinds of alarm indicators on the meter such as water temperature, oil lever, hour meter and so on.

### Reliable steering system

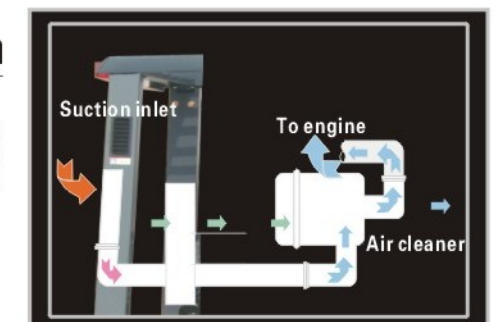
The steering system adopting new technology not only ensure steady steering, quick positioning and steering, but also ensure the driver's safety.



- ✓ Wholly hydraulic steering
- ✓ Small steering radius
- ✓ Durable tyre

### Air intaking system

Air suction inlet installing on top of the overhead guard brace far away from the dust produced when travelling. Cleaner air sucked prolonging engine service life.







**BALANCE WEIGHT TYPE  
FORKLIFT**

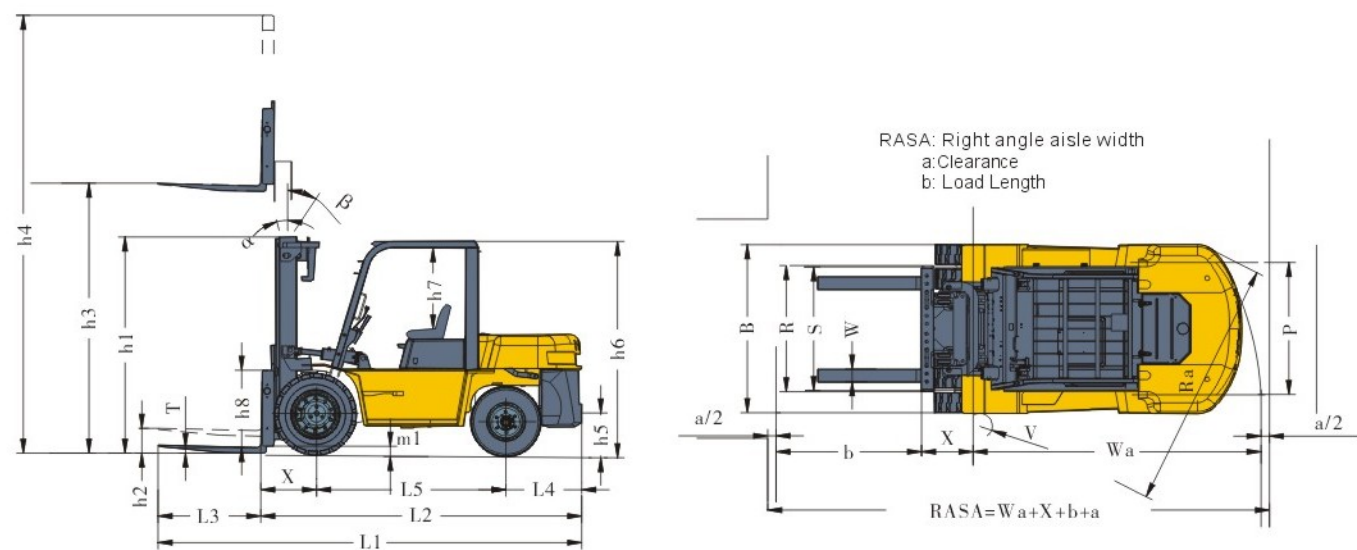
**5-7.5 Ton**



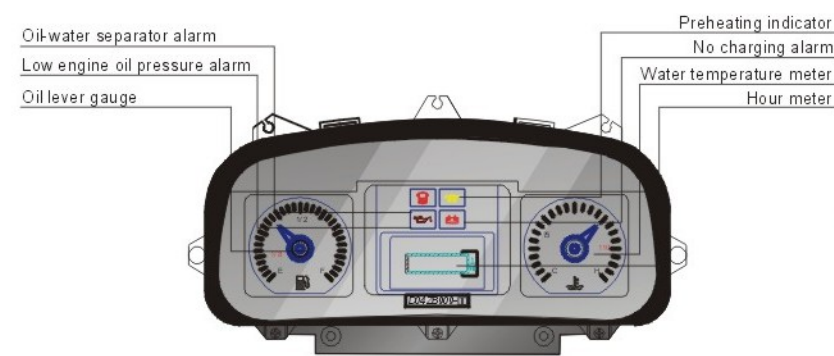
**制造商和技术参数 Manufacturers Data and Design Characteristics**

Characteristics				<b>ANHUI HEI CO., LTD.</b>			
11.1				CPCD50			
1.2				CPCD60		CPCD70	
1.3				Diesel Oil			
1.4				5000		7500	
1.5				600			
1.6				Sit-on type			
Size							
2.1	Overall max.lifting height (with backrest)	h4	mm	4420	4420	4420	4290
2.2	Max.Lifting height	h3	mm	3000			
2.3	Height mast retracted(upright)	h1	mm	2500	2500	2500	2567
2.4	Free lift height	h2	mm	200		267	
2.5	Backrest height(from upper face of forks)	h8	mm	1365			
2.6	Overhead Guard clearance(from face of seat)	h7	mm	1120			
2.7	Overall height(overhead guard)	h6	mm	2450	2450	2450	2510
2.8	Overall length(with forks)	L1	mm	4625	4695	4770	4965
2.9	Overall length(without forks)	L2	mm	3405	3475	3550	3745
2.10	Front overhang	X	mm	590	590	590	655
2.11	Rear overhang	L4	mm	565	635	710	840
2.12	Wheel base	L5	mm	2250	2250	2250	2250
2.13	Coupler height	h5	mm	430	430	430	430
2.14	Min.ground clearance under mast	m1	mm	200	200	200	250
2.15	Overall width	B	mm	1995	1995	1995	1995
2.16	Lateral fork adjustment(Outside of fork)	R	mm	1845/300	1845/300	1845/300	1440/300
2.17	Front thread	S	mm	1470	1470	1470	1470
2.18	Rear thread	P	mm	1700	1700	1700	1500
2.19	Inside turning radius	Wa	mm	3250	3300	3360	3425
2.20	Outside turning radius	V	mm	200	200	200	200
2.21	Min.intersecting aisle	Ra	mm	2960	3000	3040	3240
2.22	Tilting angles(forward/backward)	$\alpha/\beta$		6° /12°			
2.23	Fork size axbxc		mm	55×1220×150	60×1220×150	65×1220×150	70×1220×150
Performance							
3.1	Max. Traveing speeds (laden/unladen)		km/h	26/28	26/28	26/28	24/29
3.2	Lifting Speeds (laden/unladen)		mm/s	550/580	550/580	480/560	430/480
3.3	Lowering Speeds (laden/unladen)		mm/s	≤600/≥300			
3.4	Max. Draw-bar pull (laden/unladen)		kN	54	54	54	54
3.5	Max. Negotiable Gradient(laden/unladen)		%	35/20	32/20	30/20	25/20
Weight							
4.1	Service Mass		kg	7980	8570	9170	10050
4.2	Load Wheel.laden(Front/Rear)		kg	11660/1320	12990/1580	14420/1750	13800/3750
4.3	Load Wheel.unladen(Front/Rear)		kg	4010/3970	3850/4720	3780/5390	2710/7340
Tyres							
5.1	Wheel(Front/Rear) X=Driving Wheel			4x/2			
5.2	Tyre(Front/Rear)			Pneumatic tyre			
5.3	Tyre size (front )			4-8.25-15-14PR			
5.4	Tyre size (rear)			2-8.25-15-14PR			
5.5	Service Brake			Power brake-pedal type			
5.6	Paking Brake			Mechanism-hand braking rod type			
Drive and transmission control device							
6.1	Battery Voltage/Capacity		V/Ah	2x12/80			
6.2	Internal Combustion Engine Model			A-6BG1QC-02			
6.3	Engine type			Diesel engine			
6.4	Internal Combustion Engine Rated Output		kW/rpm	82/2000			
6.5	Internal Combustion Engine Rated Torque		Nm/rpm	415/1400-1600			
6.6	Internal Combustion Engine Number of Cylinder			6-105*125			
6.7	Internal Combustion Engine Displanment		L	6.494			
6.8	Internal Combustion Engine Fuel Tank Capacity		L	140			
6.9	Transmission Number of Speed Fwd/Bwd type			2/2- POWER SHIFT			





**Meter function diagram**



- ✓ Stepping motor core
- ✓ Fit CE electric safety standard
- ✓ Programmable digitization meter
- ✓ Protection degree IP54
- ✓ Loading output port expanding meter function



CPCD50   CPCD60   CPCD70   CPCD75

Note:  
Vertical axle stands for load capacity while horizontal axle stands for load center. Load center is the distance counted from the front of the fork. The base point of the standard load is the center point of the cubic with the same 1000mm dimension in length, width and height. The load capacity should be down, if mast tilts forward, using non-standard forks or loading goods with extra width. Please notice the different load capacity between different load centers according to load chart.

**5-7.5t WIDE VIEW MAST**

Mast type	Max. Lifting height (mm)	Loading capacity (load center 500mm) (kg)				Mast overall height (Fork to the ground)(mm)			Service weight (With backrest)(kg)				Mast tilting angle Forward/Backward (deg.)
		CPCD50	CPCD60	CPCD70	CPCD75	CPCD50	CPCD60	CPCD70	CPCD75	CPCD50	CPCD60	CPCD70	
M200	2000	5000	6000	7000	-	2000	-	-	7836	8496	9206	-	6-12
M250	2500	5000	6000	7000	7500	2250	2317	7900	8560	9270	9991	-	6-12
M270	2700	5000	6000	7000	7500	2350	2417	7930	8590	9300	10013	-	6-12
M300	3000	5000	6000	7000	7500	2500	2567	7980	8640	9350	10040	-	6-12
M330	3300	5000	6000	7000	7500	2650	2717	8030	8690	9400	10089	-	6-12
M350	3500	5000	6000	7000	7500	2750	2817	8060	8720	9440	10118	-	6-12
M375	3750	5000	6000	7000	-	2875	-	8100	8760	9480	-	-	6-12
M400	4000	5000	6000	7000	7500	3050	3117	8270	8930	9650	10328	-	6-12
M425	4250	5000	6000	7000	7500	3175	3242	8310	8970	9690	10368	-	6-12
M450	4500	5000	6000	7000	7500	3300	3367	8350	9010	9730	10409	-	6-12
M475	4750	5000	6000	7000	-	3425	-	8390	9050	9770	-	-	6-6
M500	5000	5000	6000	7000	7500	3550	3617	8430	9090	9810	10490	-	6-6
M550	5500	4750	5700	6600	7000	3850	3917	8630	9290	10000	10684	-	3-6
M600	6000	4400	5400	6400	6700	4100	4167	8710	9370	10080	10766	-	3-6

Note: optional mast tilting angle for K7.5t with mast lower than 4m: forward 10° /backward 12°

**5-7t WIDE VIEW FULL FREE 2-STAGE MAST**

Mast type	Max. Lifting height (mm)	Loading capacity (load center 500mm) (kg)				Mast overall height (Fork to the ground)(mm)			Service weight (With backrest)(kg)			Free lift (with backrest) (mm)	Mast tilting angle Forward/Backward (deg.)
		CPCD50	CPCD60	CPCD70	CPCD75	CPCD50	CPCD60	CPCD70	CPCD50	CPCD60	CPCD70		
ZM250	2500	5000	6000	7000	2210	8010	8670	9380	840	6-12			
ZM270	2700	5000	6000	7000	2310	8040	8700	9410	940	6-12			
ZM300	3000	5000	6000	7000	2460	8090	8750	9460	1090	6-12			
ZM330	3300	5000	6000	7000	2610	8140	8800	9510	1240	6-12			
ZM350	3500	5000	6000	7000	2710	8170	8830	9540	1340	6-12			
ZM375	3750	5000	6000	7000	2835	8210	8870	9580	1465	6-12			
ZM400	4000	5000	6000	7000	3010	8370	9030	9740	1640	6-12			
ZM425	4250	5000	6000	7000	3135	8410	9070	9780	1765	6-12			
ZM450	4500	5000	6000	7000	3280	8450	9110	9820	1890	6-12			
ZM475	4750	5000	6000	7000	3385	8490	9150	9860	2015	6-6			
ZM500	5000	5000	6000	7000	3510	8530	9190	9900	2140	6-6			
ZM550	5500	4750	5700	6600	3810	8730	9390	10100	2440	3-6			
ZM600	6000	4400	5400	6400	4060	8810	9470	10180	2690	3-6			

Note: 5-6t truck without backrest free lifting height: +465mm  
7t truck without backrest free lifting height: +310mm

**5-7t WIDE VIEW FULL FREE 3-STAGE MAST**

Mast type	Max. Lifting height (mm)	Loading capacity (load center 500mm) (kg)				Mast overall height (Fork to the ground)(mm)			Service weight (With backrest)(kg)			Free lift (with backrest) (mm)	Mast tilting angle Forward/Backward (deg.)
		CPCD50	CPCD60	CPCD70	CPCD75	CPCD50	CPCD60	CPCD70	CPCD50	CPCD60	CPCD70		
ZSM360	3600	4500	5600	6200	2335	8670	9330	10020	910	6-6			
ZSM400	4000	4500	5600	6200	2470	8730	9390	10080	1040	6-6			
ZSM435	4350	4500	5600	6200	2585	8790	9450	10120	1156	6-6			
ZSM480	4800	4500	5600	6200	2740	8980	9640	10310	1310	6-6			
ZSM500	5000	4500	5600	6200	2805	9010	9670	10340	1380	3-6			
ZSM540	5400	4200	5300	6000	2940	9080	9740	10510	1510	3-6			
ZSM600	6000	4000	5000	5600	3140	9170	9830	10690	1710	3-6			
ZSM650	6500	3500	4500	5000	3405	9280	9940	10810	1975	3-6			
ZSM700	7000	3200	4000	4500	3515	9390	10050	10920	2085	3-6			

Note: 5-6t truck without backrest free lifting height: +465mm  
7t truck without backrest free lifting height: +310mm