

**CHL**



**CHL**

**1.5-2.0 ton  
CBD15-CBD20  
ELECTRIC PALLET TRUCK**



Manufacturer: **ANHUI HELI CO., LTD.**  
NO.668 Fangxing Street, Economical Development Zone,  
Hefei, P.R.China  
TEL: 0086-551-63639458  
FAX: (86 551) 63639966  
WEBSITE: <http://www.chlfoiklift.com>

**AUTHORIZED DEALER**

\*Details of specifications and equipment are based on information available at the time of printing and may change without notice.

© 2013 heli copyright

Catalog No.2013.09 HELI Print

**Product Model :CBD15-170**  
**Electric Pallet Truck ( Mini )**

Load capacity:1500kg  
Battery capacity:70Ah  
15A Built-in Charger  
Drive motor: DC 0.6KW  
Lift motor: DC 0.8KW  
Suitable for narrow space



**Product Model :CBD20-460**  
**Electric Pallet Truck ( Rider )**

Load capacity:2000kg  
Battery capacity:270Ah  
Charger: The external horizontal charger 50A  
Drive motor: vertical AC 1.5KW  
Lift motor: DC 2KW  
Controller: Curtis AC 200A  
Electric Power Steering System for Standard



**Product Model :CBD15-610**  
**Electric Pallet Truck ( Mini )**

Load capacity:1500kg  
Battery capacity:70Ah  
Charger: The external horizontal charger 15A  
Drive motor: DC 0.63KW  
Lift motor: DC 0.8KW  
Controller: Curtis DC 200A  
Suitable for narrow space  
Optional upright walking function  
Optional 15A Built-in Charger

**Product Model :CBD20-470**  
**Electric Pallet Truck ( Rider )**

Load capacity:2000kg  
Battery capacity:280Ah  
Charger: The external horizontal charger 50A  
Drive motor: Vertical AC 1.5KW  
Lift motor: DC 2KW  
Controller: Curtis AC 200A  
360Ah battery for MAX.  
Electric Power Steering System for Standard  
Overall fork width form 540-1070mm



**Product Model :CBD20-100**  
**Electric Pallet Truck ( Pedestrian )**

Load capacity:2000kg  
Battery capacity:210Ah  
Charger: The external horizontal charger 50A  
Drive motor: DC 0.93KW  
Lift motor: DC 2KW  
Controller: Curtis DC 200A



**Product Model :CBD20-150**  
**European Electric Pallet Truck ( Pedestrian )**

Load capacity :2000kg  
Overall width: 720mm  
Battery capacity:210Ah  
Charger: The external horizontal charger 50A  
Drive motor: vertical AC 1.5KW  
Lift motor: DC 2KW  
Controller: Curtis AC 200A  
Electric Power Steering System for Standard

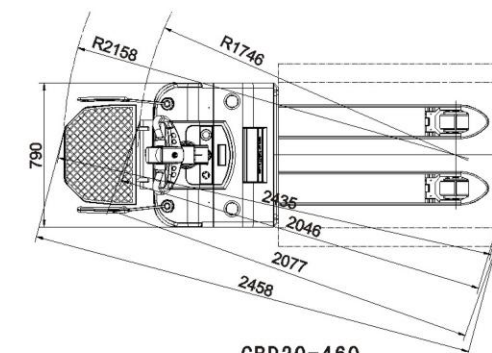
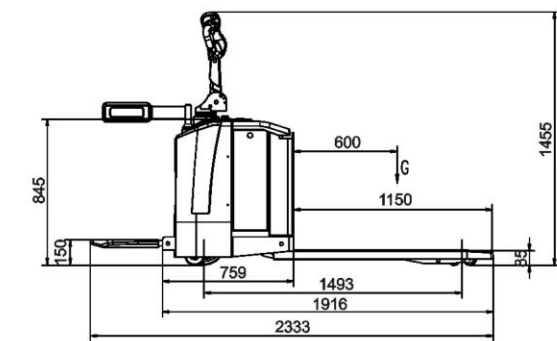




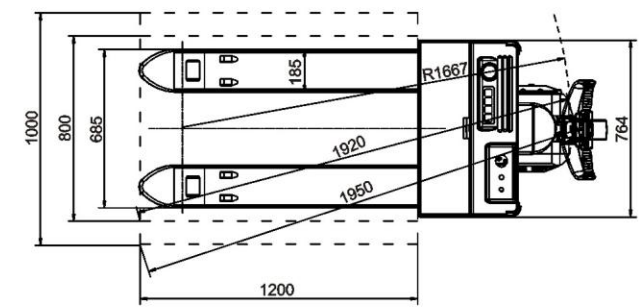
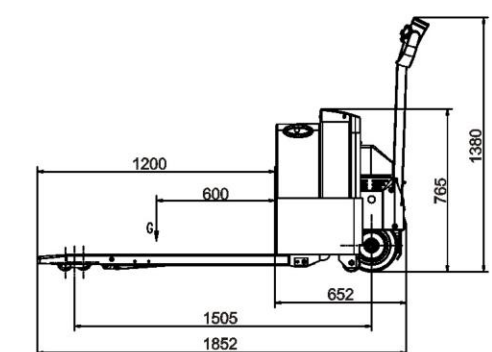
**CBD15-CBD20  
ELECTRIC PALLET TRUCK**



| Electric Pallet Truck Technical Specifications |   |       |                               |         |                      |                  |           |
|--|---|-------|-------------------------------|---------|----------------------|------------------|-----------|
| Feature  |   |       |                               |         |                      |                  |           |
| 1  | Model   |       | CBD15                         | CBD15   | CBD20                | CBD20            | CBD20     |
| 2  | Configuration No.                                     |       | 170                           | 610     | 100                  | 150              | 460       |
| 3  | Load capacity   | kg    | 1500                          | 1500    | 2000                 | 2000             | 2000      |
| 4  | Load center   | mm    | 600                           |         |                      |                  |           |
| 5  | Wheel base  | mm    | 1165                          | 1234    | 1505                 | 1390             | 1493      |
| 6  | Operating type  |       | Pedestrian                    |         |                      | Rider/Pedestrian |           |
| Wheels   |   |       |                               |         |                      |                  |           |
| 7  | Wheels type   |       | PU                            |         |                      |                  |           |
| 8  | Wheel quantity Driving wheel/Balance wheel/Load wheel |       | 1/4/2                         |         | 1/4/1                | 1/4/2            |           |
| 9  | Driving wheel size                                    | mm    | φ 252 × 67                    |         | 266 × 126            | 248 × 75         |           |
| 10   | Balance wheel size                                    | mm    | 80X58(Double wheels)          |         | 80X 80(Doublewheels) |                  |           |
| 11   | Load wheel size                                       | mm    | 99.5 × 40                     |         | 90 × 48              | 115 × 55         |           |
| Dimension                                      |   |       |                               |         |                      |                  |           |
| 12   | Min.fork lowered height                               | mm    | 85                            |         |                      |                  |           |
| 13   | Max.fork lifring height                               | mm    | 205                           |         | 195                  | 205              |           |
| 14   | Max. lifting height                                   | mm    | 120                           |         | 110                  | 120              |           |
| 15   | Overall fork width                                    | mm    | 540/600/685                   |         |                      |                  |           |
| 16   | Fork length   | mm    | 1150/1200                     |         |                      |                  |           |
| 17   | Fork width  | mm    | 160                           |         | 185                  |                  |           |
| 18   | Fork thickness  | mm    | 44                            |         | 55                   |                  |           |
| 19   | Overall length  | mm    | 1520                          | 1630    | 1852                 | 1750             | 1916/2333 |
| 20   | Overall width   | mm    | 704                           | 724     | 764                  | 720              | 790       |
| 21   | Overall height(With handle)                           | mm    | 1255                          | 1220    | 1380                 | 1385             | 1455      |
| 22   | Overall height(Without handle)                        | mm    | 680                           | 685     | 765                  | 850              | 900       |
| 23   | Min. Turning radius                                   | mm    | 1400                          | 1400    | 1667                 | 1575             | 1746/2158 |
| 24   | Min. Aisle with for pallets 800 × 1200                | mm    | 1908                          | 1817    | 1920                 | 1900             | 2046/2435 |
| 25   | Min. Aisle with for pallets 1000 × 1200               | mm    | 1946                          | 1858    | 1950                 | 1940             | 2077/2458 |
| Performance                                    |   |       |                               |         |                      |                  |           |
| 26   | Travel speed, laden/unladen                           | km/h  | 3/3.5                         | 3.5/4   | 5/5                  | 4/4              | 6/6       |
| 27   | Lift speed, laden/unladen                             | mm/s  | 56/60                         |         |                      |                  |           |
| 28   | Travel speed, laden/unladen                           | mm/s  | 57/59                         |         |                      |                  |           |
| 29   | Gradeability, laden/unladen                           | %     | 5/7                           |         |                      |                  |           |
| Electrical configuration                       |   |       |                               |         |                      |                  |           |
| 30   | Drive motor   | kW    | DC0. 6                        | DC0. 63 | DC0. 93              | AC1.5            |           |
| 31   | Lift motor  | kW    | DC0.8                         |         | DC2.0                |                  |           |
| 32   | Steering motor  | kW    | /                             |         |                      | DC0. 15          |           |
| 33   | Battery voltage/capacity                              | V/ Ah | 24/70                         |         | 24/210               | 24/270           | 24/280    |
| 34   | Brake   |       | Electromagnetic /Regenerative |         |                      |                  |           |
| 35   | Controllor  |       | CURTIS 1243                   |         |                      | CURTIS 1230      |           |
| Weight   |   |       |                               |         |                      |                  |           |
| 36   | Battery weight  | kg    | 48                            |         | 190                  | 252              | 288       |
| 37   | Service weight with battery                           | kg    | 275                           | 285     | 580                  | 600              | 840       |

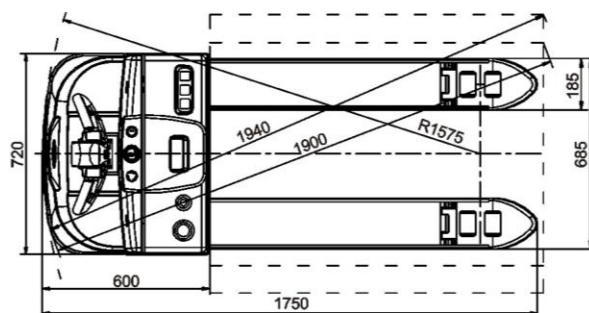
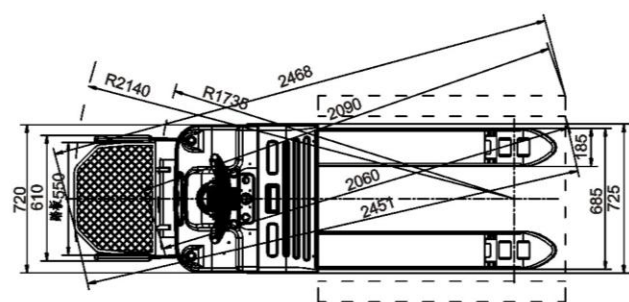
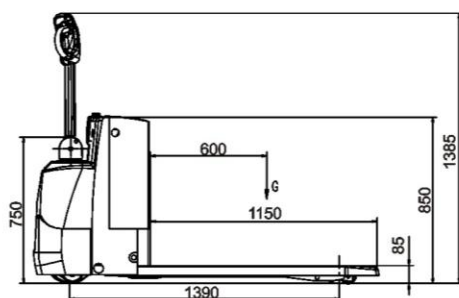
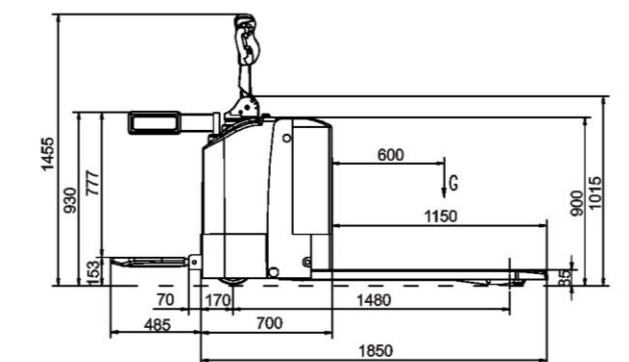


CBD20-460



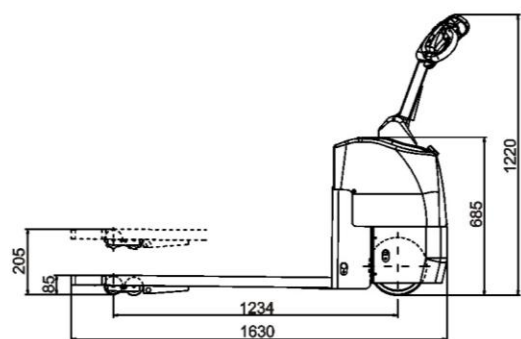
CBD20-100

**Electric Pallet Truck Dimension Drawing**

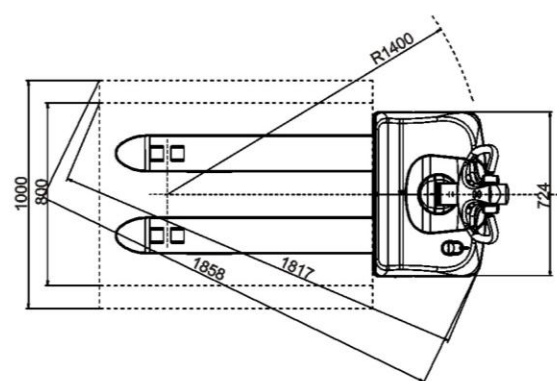


CBD20-150

CBD20-470



CBD15-610



**AC Drive Unit**

Curtis AC traction controller from U.S.A,  
Stepless speed regulation, Automatic protection.  
AC drive motor, No carbon brush, Maintenance free.  
External speed encoder, Easy to service.

**Electric Power Steering System**



Easy operating force light, Save energy, Low noise.  
Automatic centering, Automatic reset,  
Automatic protection, Safety and efficiency.  
Electric Power Steering System



**Product Advantage**



Double floating springs,  
Patented design of boost  
cylinder, Stronger driving force.



Side-extraction battery  
More convenience  
for multiple shift



Open inner-structure, numbered  
wire harness in clear layout



Automatic reset handle  
and pedal by gas springs  
gentle, Reduce mechanical  
shock.



Electronic lift limitation switch ensures safety and energy-saving.